

SMKT 1X4 FLAT PANEL SURFACE MOUNT KIT

FOR USE IN AMBIENT AND GENERAL LIGHTING APPLICATIONS



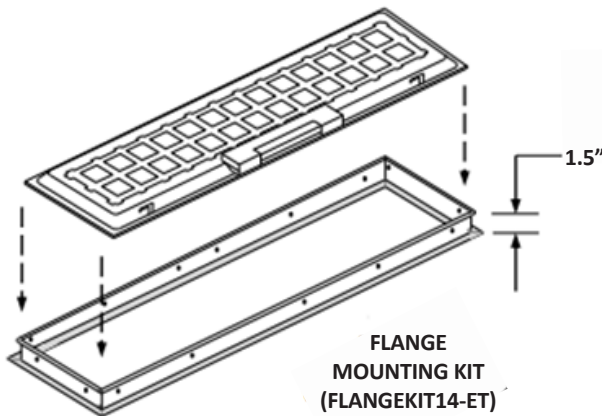
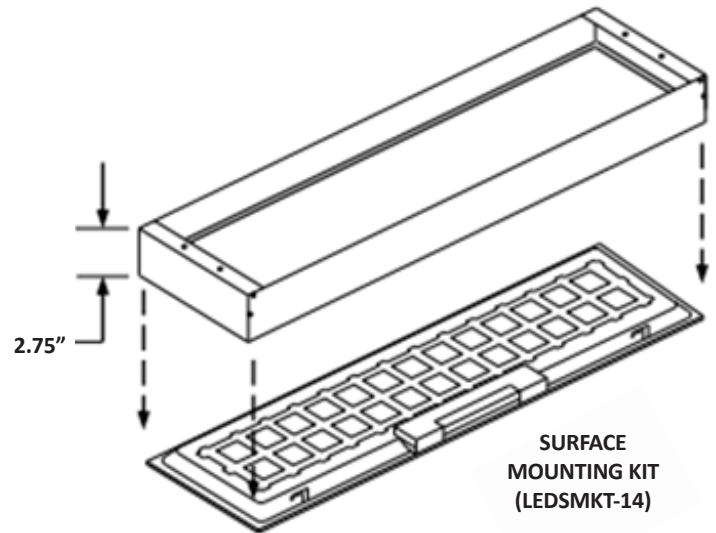
PROJECT
TYPE
PART NUMBER

FEATURES

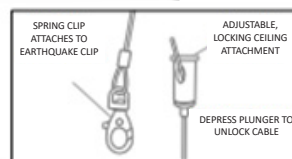
Optional surface mounting kit mounts below the ceiling.

Optional flange mounting kits provide for recessed installation on plaster or other hard ceilings. Attach flange mount kit to the ceiling joists or other stationary structures, and the panel is mounted flush to the ceiling.

Optional cable mounting kits provide additional security, as well as suspended mounting. Attach one end of the cable mount kit to luminaire earthquake clips using spring clips and attach the other end to stationary structures using the adjustable locking ceiling attachment.



CABLE MOUNTING KIT (LEDPNL-CMK)



CABLE MOUNT KIT:

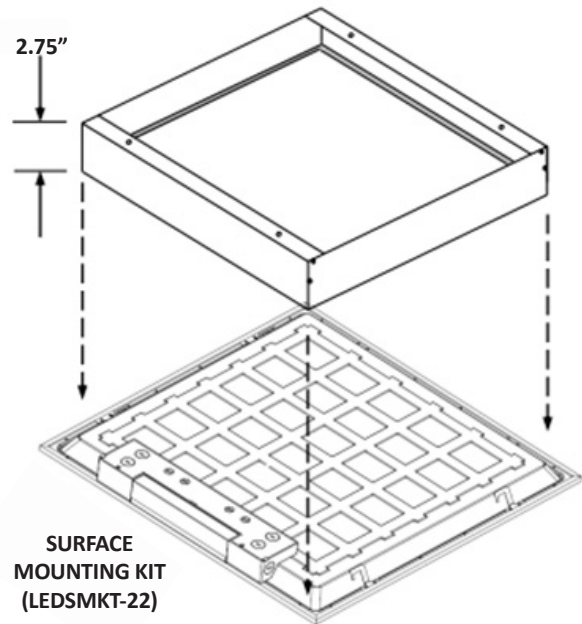
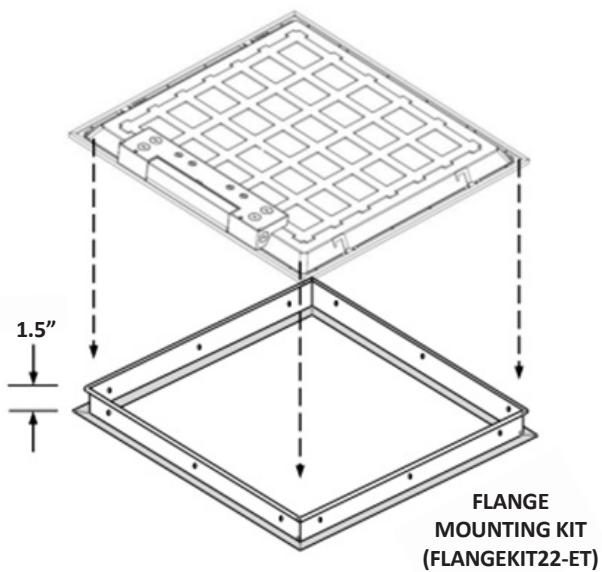
- Spring Clip
- Adjustable, locking ceiling attachment

FEATURES

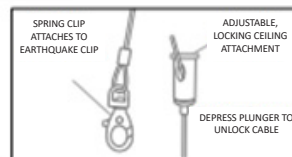
Optional surface mounting kit mounts below the ceiling.

Optional flange mounting kits provide for recessed installation on plaster or other hard ceilings. Attach flange mount kit to the ceiling joists or other stationary structures, and the panel is mounted flush to the ceiling.

Optional cable mounting kits provide additional security, as well as suspended mounting. Attach one end of the cable mount kit to luminaire earthquake clips using spring clips and attach the other end to stationary structures using the adjustable locking ceiling attachment.



CABLE MOUNTING KIT (LEDPNL-CMK)



CABLE MOUNT KIT:

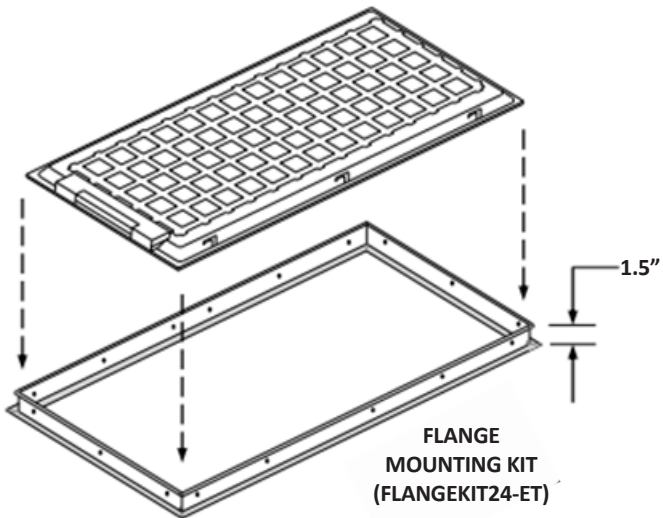
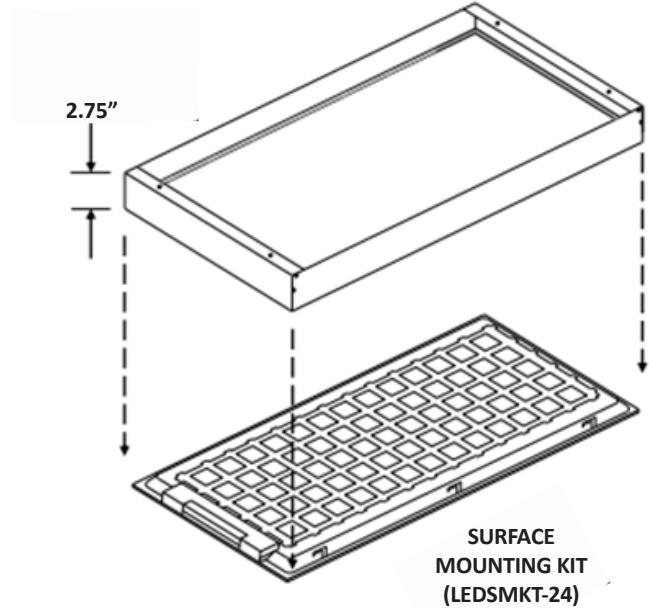
- Spring Clip
- Adjustable, locking ceiling attachment

FEATURES

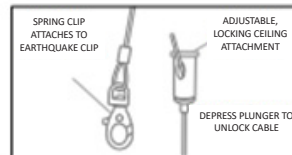
Optional surface mounting kit mounts below the ceiling.

Optional flange mounting kits provide for recessed installation on plaster or other hard ceilings. Attach flange mount kit to the ceiling joists or other stationary structures, and the panel is mounted flush to the ceiling.

Optional cable mounting kits provide additional security, as well as suspended mounting. Attach one end of the cable mount kit to luminaire earthquake clips using spring clips and attach the other end to stationary structures using the adjustable locking ceiling attachment.



CABLE MOUNTING KIT (LEDPNL-CMK)



CABLE MOUNT KIT:

- Spring Clip
- Adjustable, locking ceiling attachment