

VXHO LED FIXTURE / RETROFIT KIT HIGH OUTPUT STRIP



FOR USE IN AMBIENT AND GENERAL LIGHTING APPLICATIONS

PROJECT
TYPE
PART NUMBER

FEATURES

- DLC Dual Listed as Linear Ambient and Hi/Low Bay!
- 150,000 hr + L70
- Seoul Semiconductor LEDs
- Name brand LED Drivers
- Dimming option available upon request
- Wide range of lumen and wattage packages available
- Up to 156 lumens per watt delivered
- Sensor options available upon request



SPECIFICATIONS

CONSTRUCTION

20ga. (0.036") pre-painted die formed steel with sufficient knockouts for mounting and electrical supply.

REFLECTOR

Can be ordered with a 95% specular, a 85% specular, or a 92% diffuse white enamel. Substrate is 0.032" high quality Aluminum. The reflector profile is optimized using computer analysis and manufactured using state of the art CNC equipment. A protective premask is applied to all reflective surfaces prior to manufacture.

FINISH

All cold rolled steel parts are painted with a smooth, glossy, highly reflective white paint.

ELECTRICAL

LED Light Engine designed for reliability and long life operation
Standard 0-10V dimming to 1%
120 - 277 V standard; 347V or 480V available

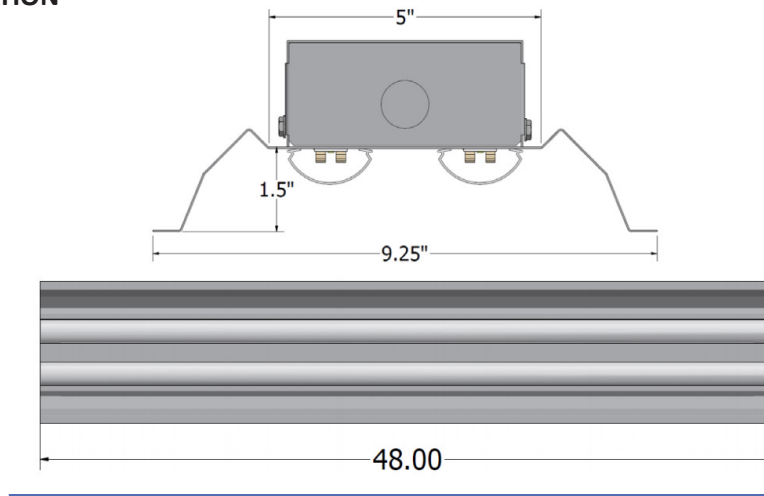
CONTROLS

Individual or grouping control with many solutions available
Consult factory for specific requirements

LISTINGS

DesignLights Consortium Premium qualified, see DLC QPL
ETL safety certified for damp locations
Standard 5 year warranty / 10 year warranty available upon request

DIMENSIONAL INFORMATION



USA DESIGNED • USA MANUFACTURED • USA ASSEMBLED
ENERGY SOLUTIONS INTERNATIONAL • WEST ST PAUL, MN • WWW.ESLIGHTING.COM • (651) 268 - 6060



VXHO LED FIXTURE / RETROFIT KIT HIGH OUTPUT STRIP



ORDERING INFORMATION

STYLE	SIZE	REFLECTOR MATERIAL	LIGHT ENGINE (NO LENS / FROSTED LENS)		COLOR TEMP	OPTIONS
F FIXTURE	14VX 1' x 4'	WR WHITE REFLECTOR	1' X 4'	1' X 8'	35 3500K	FR FROSTED LENS
K RETROFIT KIT	18VX 1' x 8'		N4M4G4HO 44W 6898 LUMENS 6240 LUMENS	N4Z8G4HO 88W 13796 LUMENS 12480 LUMENS	40 4000K	D PREWIRED FOR 0-10V DIMMING
	1' X 2' OPTIONS AVAILABLE		N4H3G4HO 53W 8293 LUMENS 7502 LUMENS	N41I6G4HO 106W 16586 LUMENS 15004 LUMENS	50 5000K	BC BALLAST COVER
			N4H7G4HO 57W 8902 LUMENS 8053 LUMENS	N41X4G4HO 114W 17804 LUMENS 16106 LUMENS	2765* 2700K - 6500K (ADJUSTABLE)	OBS ON BOARD SENSOR
			N4V7G4HO 67W 10424 LUMENS 9429 LUMENS	N41N4G4HO 134W 20847 LUMENS 18859 LUMENS		EM EMERGENCY DRIVER
			N4YOG4HO 70W 10892 LUMENS 9853 LUMENS	N41M0G4HO 140W 21784 LUMENS 19627 LUMENS		RGBW COLOR CHANGING WITH VARIOUS CONTROL OPTIONS AVAILABLE
					CUSTOM OPTIONS	

* 2765 is only for color select options using a compatible control

ADDITIONAL GRAPHICS

Standard Reflector



Retrofit Kit



Ballast Cover Option



USA DESIGNED • USA MANUFACTURED • USA ASSEMBLED
ENERGY SOLUTIONS INTERNATIONAL • WEST ST PAUL, MN • WWW.ESILIGHTING.COM • (651) 268 - 6060

