

FOR USE IN AMBIENT AND GENERAL LIGHTING APPLICATIONS

PROJECT
TYPE
PART NUMBER

FEATURES

- Low profile fixture with a simple and clean aesthetic
- Diverse controls compatibilities provide ease of mind in usability
- Ideal for suspended or surface mount general lighting needs, varied options available for mounting
- End to end illumination using a dependable light engine with an L70 of greater than 150,000 hours
- Wide variety of lumen packages available
- Color Tuning and RGBW available with correlating controls packages



SPECIFICATIONS

CONSTRUCTION

Pre painted white steel utilizing screw fasteners for gear tray connection
White acrylic endcaps

MOUNTING & INSTALLATION

Suspended or surface mount
Connection brackets upon request to be used for end to end applications
Installation kits available for various ceiling styles

OPTICAL

Evenly diffuse extruded acrylic lens
Wide distribution due to wrap around curved lens

ELECTRICAL

LED Light Engine designed for reliability and long life operation
Standard 0-10V dimming to 1%
120 - 277 V standard; 347V or 480V available

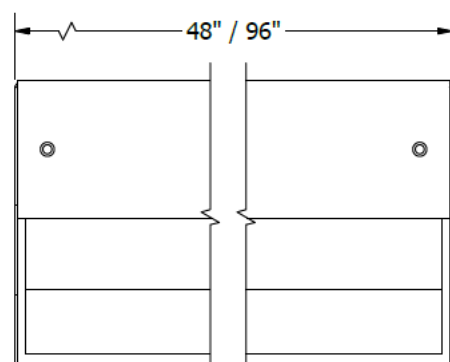
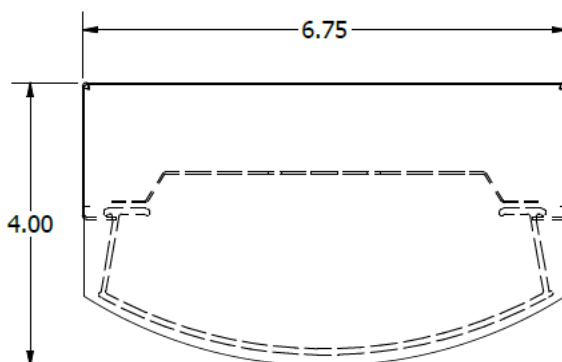
CONTROLS

Individual or grouping control with many solutions available
Consult factory for specific requirements

LISTINGS

DesignLights Consortium qualified, see DLC QPL
ETL safety certified for damp locations
Standard 5 year warranty / 10 year warranty available upon request

DIMENSIONAL INFORMATION



ORDERING INFORMATION

STYLE	SIZE	LIGHT ENGINE		COLOR TEMP	OPTIONS	OPTIONS (CONTINUED)
F FIXTURE	14CR 1' x 4'	1' X 4'	1' X 8'	35 3500K	FR FROSTED LENS (STANDARD OPTION) SQ SQUARE BODY FIXTURE WG WIRE GUARD ADDER CONTINUOUS ROW OPTIONS: STR START OF ROW FIXTURE MID MIDDLE OF ROW FIXTURE END END OF ROW FIXTURE	SD STEP DIMMING (BI LEVEL OR TRI LEVEL) LVD120 / 277 120V / 277V LINE VOLTAGE DIMMING D PREWIRED FOR 0-10V DIMMING EM EMERGENCY BACKUP INCLUDED (6W STANDARD) RGBW COLOR CHANGING WITH VARIOUS CONTROL OPTIONS AVAILABLE
	18CR 1' x 8'	L4L 18W 2514 LUMENS	L4VL 24W 3485 LUMENS	40 4000K		
	1' x 2' OPTIONS AVAILABLE	L4N 24W 3218 LUMENS	L4LL 30W 4305 LUMENS	50 5000K		
		L4M 28W 3727 LUMENS	L4L 36W 5029 LUMENS	2765* 2700K - 6500K (ADJUSTABLE)		
		L4S 33W 4234 LUMENS	L4N 48W 6554 LUMENS			
		L4MH 37W 4658 LUMENS	L4M 56W 7454 LUMENS			
		L4H 48W 6554 LUMENS	L4S 66W 8468 LUMENS			
		L4V 54W 7266 LUMENS	L4MH 77W 9596 LUMENS			
		L4VH 60W 7889 LUMENS	L4H 96W 13108 LUMENS			
		L4VV 69W 8857 LUMENS	L4V 109W 14532 LUMENS			
		L4VH 120W 15778 LUMENS				
		L4VV 138W 17714 LUMENS				

CUSTOM OPTIONS

* 2765 is only for color select options using a compatible control system

ADDITIONAL GRAPHICS

