

Features

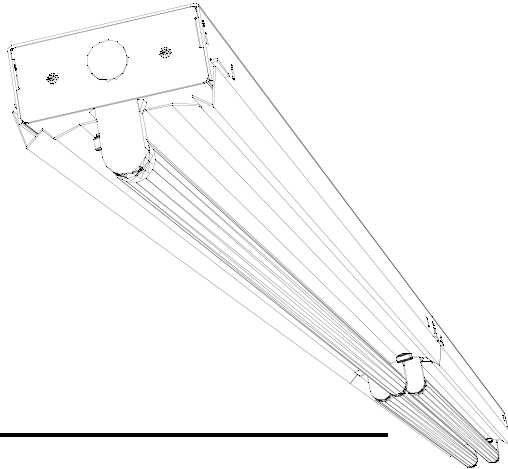
A Breakthrough Alternative to Four Lamp Fixtures

Superior Light Quality, 93.8 % Photometric Efficiency

Enhanced Merchandise Presentation

Low Maintenance Costs

Low Energy Consumption (77 - 87 Watts)



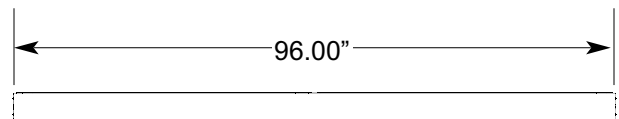
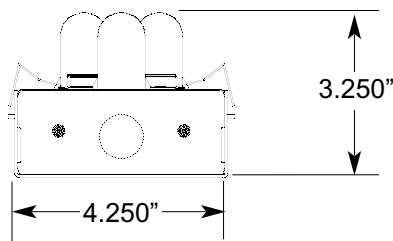
Technical Data

Socket Bars: 0.032" pre-painted cold-rolled steel. Pre-punched for lampholders and quarter-turn fasteners. Designed to "snap-into" existing slots in fixture channel.

Reflector: The reflector can be ordered with an 85% reflective anodized finish, a 95% reflective enhanced or film finish, or a 92% reflective white enamel. The substrate is 0.020" high quality aluminum. The reflector profile is optimized using computer analysis and manufactured using state of the art CNC equipment. A protective pre-mask is applied to all reflective surfaces prior to manufacture.

Installation: For retrofit, the existing ballast and socket bars are removed. With the new ballast installed, the ESI socket bars simply snap into place in the existing channel. The reflector is positioned between the socket bars and attached with quarter-turn fasteners.

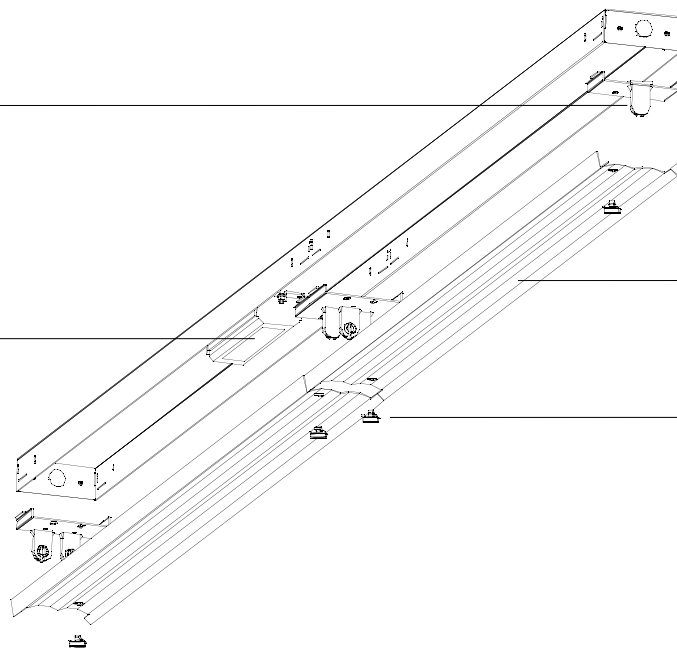
Installation



Highlights

Premium quality cam-lock lampholders

Low energy consumption (77-87 Watts)



Computer designed, CNC formed 0.020" specular aluminum reflector

Secure, quarter-turn reflector attachment

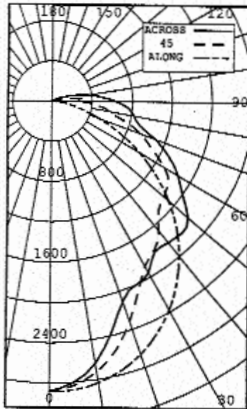
Photometrics



Lighting Sciences Inc.
7830 E. Evans Road
Scottsdale, Arizona 85260 USA
Tel: 480-991-9260 • Fax: 480-991-0375

CERTIFIED TEST REPORT No. LSI 15174

ENERGY SOLUTIONS 3 LAMP 1x8 STRIP KIT - RETAIL SERIES, CAT# 18SSEA332120N
WITH SPECULAR REFLECTORS AND NO LENS
THREE PHILIPS 32 WATT LAMPS, CAT# F32T8/TL835. LUMEN RATING - 2950 LMS.
ONE ADVANCE REL-3P32-RHTP BALLAST OPERATING AT 120 VAC AND 87 WATTS



CANDLEPOWER SUMMARY					OUTPUT LUMENS
ANGLE	ALONG	45	67.5	ACROSS	
0	2879	2879	2879	2879	2879
5	2875	2862	2832	2792	2799
15	2760	2685	2546	2394	2360
25	2529	2361	2060	1985	2001
35	2196	1916	1794	1811	1811
45	1773	1458	1517	1745	1843
55	1272	1117	1423	1575	1597
65	749	819	1098	1248	1294
75	309	541	750	863	901
85	68	233	444	695	761
90	11	76	286	573	636
95	0	64	275	440	499
105	0	0	61	179	227
115	0	0	0	27	48
125	0	0	0	0	0
135	0	0	0	0	0
145	0	0	0	0	0
155	0	0	0	0	0
165	0	0	0	0	0
175	0	0	0	0	0
180	0	0	0	0	0

ZONE	LUMENS	% LAMP	% LUMINAIRE
0-30	1983	22.41	23.91
0-40	3161	35.72	38.10
0-60	5661	63.97	68.23
0-90	7917	89.46	95.41
40-90	4755	53.74	57.31
60-90	2255	25.49	27.18
90-180	380	4.30	4.59
0-180	8298	93.76	100.00

** EFFICIENCY: 93.88 **

LUMINANCE SUMMARY CD./SQ.M.

ANGLE	ALONG	45	ACROSS
45	8994	7690	9243
55	7953	8799	9708
65	6356	8999	10611
75	4279	10214	9701
85	2782	7820	10341

S/MH: 1.0
SC(ALONG): 1.2, SC(ACROSS): 1.0

CERTIFIED BY:
James E. Walther III DATE: DEC 15, 2000
PREPARED FOR:
ENERGY SOLUTIONS INC.
ST. PAUL, MN

TESTED IN ACCORDANCE WITH IES PROCEDURES.

Case Study

250' x 250' x 14' Retail Space

Reflectances:

Ceiling 80
Walls 50
Floor 20

Luminaire:

ESI Retail Retrofit
(3) 32W FO32 T8 Lamps
Standard Power Ballast

Lightloss Factor: 0.80
Lumens / Lamp: 3050

Mounting

Height: 14'
Spacing: Continuous
Rows, 12' on Center

Results

Illuminance Level: 80.1fc
(at 2.5' from floor)

Ave / Min 1.3
Max / Min 1.5
Watts / Sq. Ft. 0.84

Ordering Information - *** Kits do not include lampholders unless they are added as an option ***

Part Number = Fixture Size + Reflector Material + # Lamps + Lamp Wattage + Voltage + Ballast Type

(Example K-18EASS332277N = 1'x8' Slim Strip Kit with an enhanced aluminum reflector, 3-32W lamps, 277 volts, and a standard power ballast)

Size	Reflector	Design	# Lamps	Wattage	Width	Options
K-14 - 1' x 4' Kit	EA - Enhanced Alum	SS - Slim Strip	1*	32	4.25"	LEV - Standard Lampholders
K-18 - 1' x 8' Kit	AA - Anodized Alum		2*		4.50"	BJB - Twist-lock Holders
	WR - White Enamel		3		4.75"	
					5.00"	

* 1 and 2 Lamp option for 1' x 4' Kit