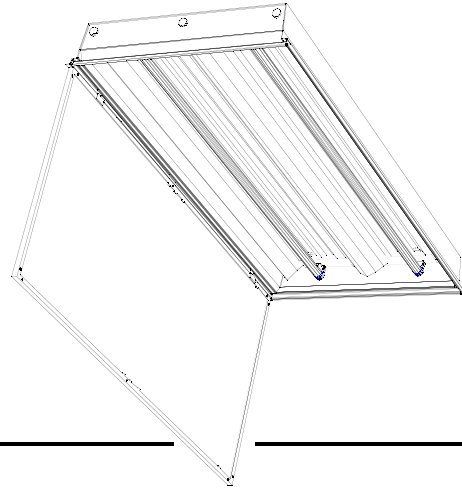


Features

- Computer designed for optimal performance*
- Provides uniform light distribution*
- Minimizes lens streaking*
- Tool-free reflector installation and removal*
- Fits most prismatic troffers*



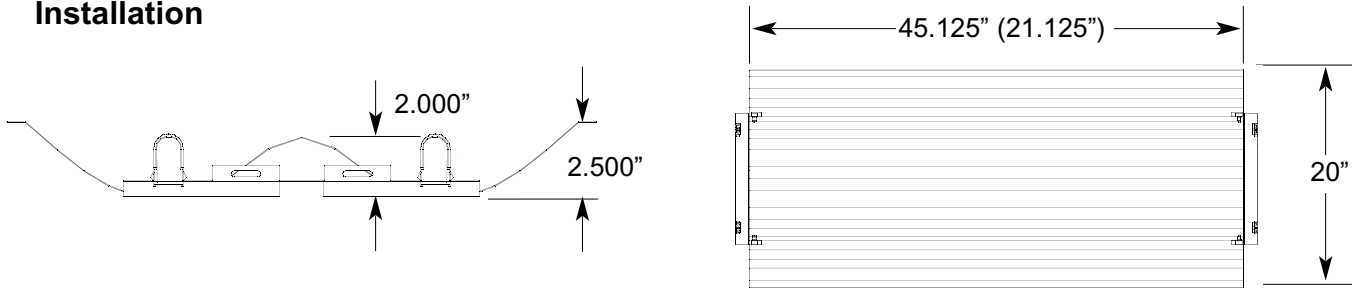
Technical Data

Socket Bars: 0.032" pre-painted cold-rolled steel. Prepunched for lampholders and wire passageway. Tabs on socket bars securely mount the reflector in the correct position relative to the lamps. Note: ESI's optional uni-bracket is pictured in the diagrams.

Reflector: The reflector can be ordered with an 85% reflective anodized finish, a 95% reflective enhanced or film finish, or a 92% reflective white enamel. The substrate is 0.020" high quality aluminum. The reflector profile is optimized using computer analysis and manufactured using state of the art CNC equipment. A protective premask is applied to all reflective surfaces prior to manufacture.

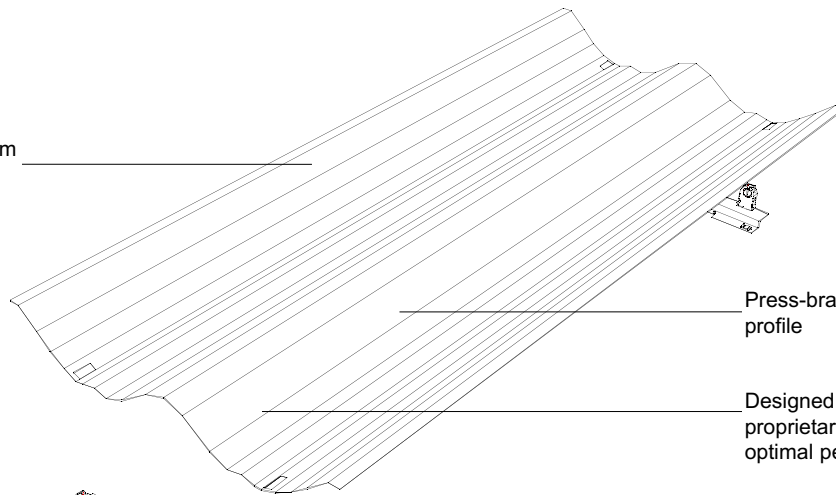
Installation: For retrofit, the existing ballast and socket bars are removed. With the new ballast installed, the ESI socket bars are centered at the ends of the fixture and fastened with two self-tapping screws. The reflector is positioned between the socket bars. By applying slight compression to the reflector peak, the tabs on the socket bar are aligned with the punchouts in the reflector. When the compression is released, the tabs securely hold the reflector in place.

Installation



Highlights

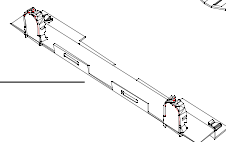
Available in reflectances from 85% to 95%, meeting every performance and budget requirement.



Press-brake formed reflector profile

Designed and analyzed on proprietary software for optimal performance

Solid, 0.032" gloss white steel socket bars



Socket bar tabs allow tool-free reflector installation and removal

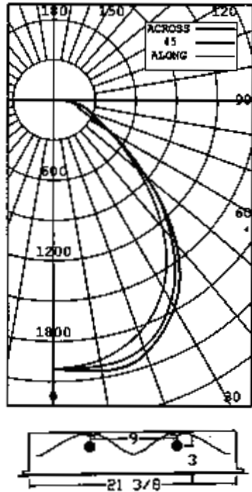
Photometrics*



Lighting Sciences Inc.
7830 E. Evans Road
Scottsdale, Arizona 85260 USA
Tel: 480-991-9260 • Fax: 480-991-0375

CERTIFIED TEST REPORT NO. LSI 14143

ENERGY SOLUTIONS 2 X 4 TROFFER LUMINAIRE, CAT# 24EAD2
WITH 93 SPECULAR D2 REFLECTOR AND PRISMATIC ACRYLIC LENS
TWO PHILIPS 32W FLUORESCENT LAMPS, CAT# F32T8/TLB41. LUMEN RATING = 3000 LMS.
ONE MOTOROLA MZ-IN-T8-G-PD-120 BALLAST OPERATING AT 120 VAC AND 60 WATTS



ANGLE	ALONG	22.5	45	67.5	ACROSS	OUTPUT LUMENS
0	2008	2008	2008	2008	2008	195
5	1995	1999	2012	2020	2026	
10	1967	1980	2013	2039	2052	
15	1916	1944	2000	2041	2055	561
20	1845	1884	1955	1993	2003	
25	1742	1795	1853	1892	1902	845
30	1612	1666	1726	1767	1778	
35	1444	1495	1556	1604	1614	959
40	1240	1282	1345	1394	1401	
45	1021	1049	1123	1149	1147	845
50	803	825	886	890	882	
55	611	622	655	653	656	576
60	458	448	445	462	478	
65	347	325	285	330	355	330
70	282	257	200	254	286	
75	235	203	176	204	239	214
80	166	147	140	148	175	
85	83	84	78	83	93	87
90	0	0	0	0	0	

ZONE	LUMENS	% LAMP	% LUMINAIRE
0-30	1601	26.69	34.72
0-40	2560	42.68	55.52
0-60	3981	66.36	86.32
0-90	4612	76.87	100.00
40-90	2051	34.19	44.48
60-90	630	10.51	13.68
90-180	0	.00	.00
0-180	4612	76.87	100.00

** EFFICIENCY = 76.9% **

LUMINANCE SUMMARY - CD./SQ.F.T.

ANGLE	ALONG	45	ACROSS
45	2283	2519	2575
55	1683	1812	1815
65	1299	1068	1331
75	1435	1073	1463
85	1504	1410	1699

S/MH = 1.3
SC(ALONG) = 1.2, SC(ACROSS) = 1.3

CERTIFIED BY: [Signature]
DATE: JUN 21, 1999
PREPARED FOR: ENERGY MASTERS
ST. PAUL, MN

TESTED IN ACCORDANCE TO IES PROCEDURES.

*shown for an enhanced aluminum reflector, full reports for all products available upon request

Summaries

95% reflective, specular enhanced aluminum

Efficiency: 76.9%
Spacing height ratio (along) : 1.2
Spacing height ratio (across) : 1.3
Photometrics data file: 24EAD2.ies

85% reflective, specular anodized aluminum

Efficiency: 72.9%
Spacing height ratio (along) : 1.2
Spacing height ratio (across) : 1.2
Photometrics data file: 24AAD2.ies

92% reflective, diffuse white enamel

Efficiency: 76.4%
Spacing height ratio (along) : 1.2
Spacing height ratio (across) : 1.3
Photometrics data file: 24RWD2.ies

Ordering Information *** Kits do not include lampholders unless they are added as an option ***

Part Number = Fixture Size + Reflector Material + # Lamps + Lamp Wattage + Options

(Example K-24EAD2232 = 2'x4' Retrofit Kit with an Enhanced Aluminum Reflector for 2-32W lamps)

Size	Reflector	Design	# Lamps	Lamp Watts	Options
K-22 - 2' x 2'	EA - Enhanced Alum	S - 2 Lamp Standard	2	17	LEV - Standard Lampholders
K-24 - 2' x 4'	AA - Anodized Alum	D - 3,4 Lamp Standard	3	32	BJB - Twist-lock Holders
	WR - White Enamel	P - Parabolic	4	54	