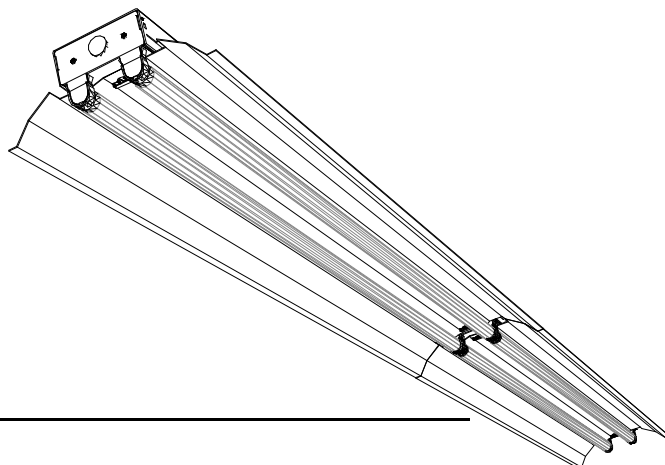


Features

- Computer designed for optimal performance
- Available in a range of materials to meet every performance and budget criteria
- One piece center bracket simplifies installation



Technical Data

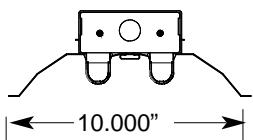
Socket Bars: 0.032" pre-painted cold-rolled steel. Provided as a three-piece break-apart set to simplify material handling. Pre-punched for lampholders and alignment holes.

Reflector: The reflector can be ordered with an 85% reflective anodized finish, a 95% reflective enhanced or film finish, or a 92% reflective white enamel. The substrate is 0.020" high quality aluminum. The reflector profile is optimized using computer analysis and manufactured using state of the art CNC equipment. A protective pre-mask is applied to all reflective surfaces prior to manufacture.

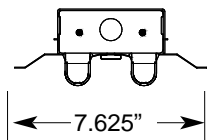
Installation: For retrofit, the existing ballast covers, ballast and socket bars are removed. With the new ballast installed, the ESI socket bars are attached to the existing channel with self-tapping screws. The reflector is positioned between the socket bars and attached with quarter-turn fasteners.

Installation

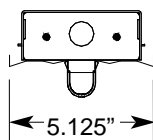
12" Reflector Profile (12S)*



8" Reflector Profile (8S)*

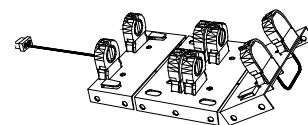


6" Reflector Profile (6S)*

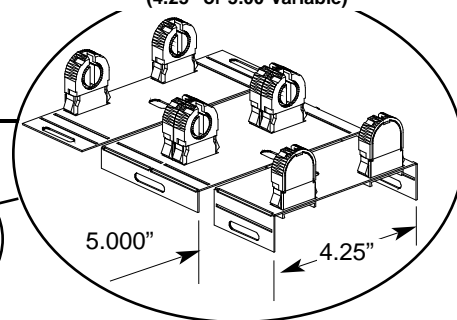


*Dimensions subject to change. Available in a 1Lamp, 2Lamp, and 3Lamp Cross-section

Break-apart Socket-Bar Set (Fixed Channel)



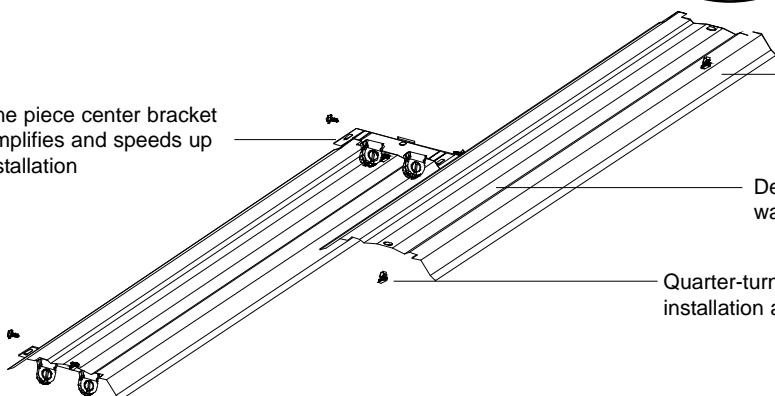
NEW Versa-Form Socket-Bar Set (4.25" or 5.00 Variable)



Highlights

Optional Versa-form socket-bar set is field adjustable for 4.25" or 5.00" channels

One piece center bracket simplifies and speeds up installation



Available in reflectances ranging from 85% to 95% to meet every performance and budget requirement.

Designed and analyzed on proprietary software for optimal performance

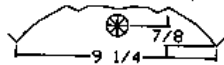
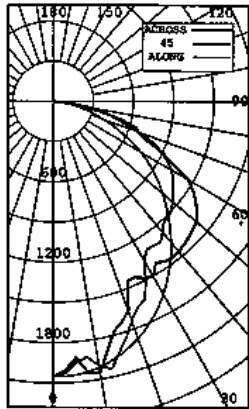
Quarter-turn fasteners allow tool-free reflector installation and removal

Photometrics



CERTIFIED TEST REPORT NO. LSI 14152

ENERGY SOLUTIONS 1 X 8 STRIP LUMINAIRE CAT# 18EA12S
TWO SYLVANIA 32W FLUORESCENT LAMPS, CAT# FO32/850/XP/ECO LUMEN RATING 3000 LM.
ONE SYLVANIA QHE 2X32T8/UNV ISN-SC OPERATING AT 120 VAC AND 55 WATTS



CANDLEPOWER SUMMARY		OUTPUT LUMENS	
ANGLE ALONG	45	67.5	ACROSS
0	2051	2051	2051
5	2045	2023	1955
10	2013	1908	2003
15	1955	1881	1931
20	1875	1943	1733
25	1775	1799	1628
30	1655	1620	1360
35	1519	1416	1312
40	1371	1305	1271
45	1218	1066	1214
50	1067	928	1165
55	920	871	1095
60	785	747	1019
65	573	660	892
70	402	561	676
75	263	442	466
80	129	252	296
85	50	107	60
90	5	12	8

ZONAL LUMENS AND PERCENTAGES

ZONE	LUMENS	% LAMP	% LUMINAIRE
0-30	1468	24.48	26.15
0-40	2354	39.24	41.92
0-60	4281	71.35	76.23
0-90	5616	93.61	100.00
40-90	3261	54.36	58.08
60-90	1335	22.25	23.77
90-180	0	.00	.00
0-180	5616	93.61	100.00

** EFFICIENCY = 93.6% **

LUMINANCE SUMMARY - CD./SQ.M.

ANGLE	ALONG	45	ACROSS
45	3005	3008	3538
55	2800	3344	3962
65	2364	3698	3721
75	1776	3146	3501
85	1002	807	29

S/MH = 1.1
SC(ALONG) = 1.2, SC(ACROSS) = 1.1

CERTIFIED BY: [Signature]
DATE: JUN 15, 1999
PREPARED FOR: ENERGY MASTERS ST. PAUL, MN

Summaries

95% reflective, specular enhanced aluminum

Efficiency: 95.1%
Spacing height ratio (along) : 1.26
Spacing height ratio (across) : 1.25
Photometric data file: 18STEA8S232.ies

85% reflective, specular anodized aluminum

Efficiency: 91.1%
Spacing height ratio (along) : 1.35
Spacing height ratio (across) : 1.38
Photometric data file: 18STAA8S232.ies

92% reflective, diffuse white enamel

Efficiency: 91.4%
Spacing height ratio (along) : 1.30
Spacing height ratio (across) : 1.37
Photometric data file: 18STWR8S232.ies

*shown for an enhanced aluminum reflector, full reports for all products available upon request

Ordering Information

Part Number = Fixture Size + Reflector Material + # Lamps + Channel Width + Options

(Example K-18WR8S432-VER-BJB = 1'x8' Kit, white 8S Refl., 4-32W lamps, to fit a 4.25" or 5.00" channel, including Tw)

Size	Reflector	Blank Size	Distribution	# Lamps	Wattage	Width	Options
K-14 - 1' x 4' Kit	EA - Enhanced Alum	BC - Ballast Cover only		1	32	4.25"	PW - Pre-wired
K-18 - 1' x 8' Kit	AA - Anodized Alum	6 - 6" Blank	S - Standard	2	54	4.50"	UNV - Unv Ballast
	WR - White Enamel	8 - 8" Blank	F - Focused*	3		4.75"	841 - 841 Lamps
		12 - 12" Blank	W - Wide**	4		5.00"	850 - 850 Lamps
				6		VER - 4.25-5.00"	

* Not available with 6" or 8" Blank Size
** Not available with 6" Blank Size