

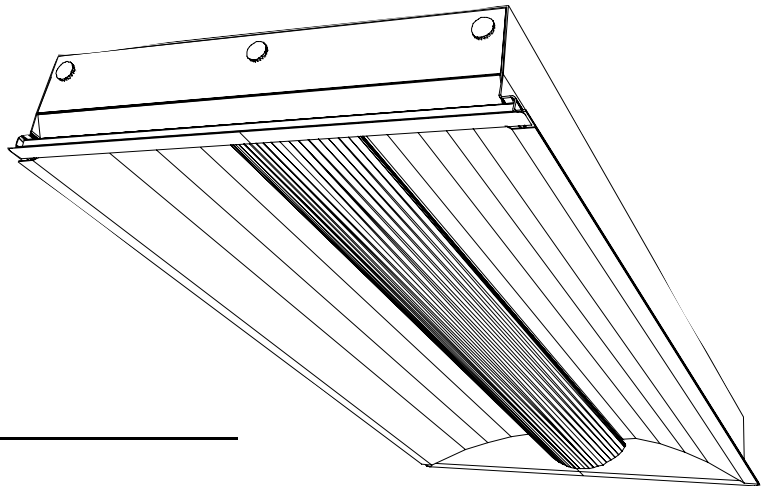
Features

Converts existing recessed troffers into high performance, architecturally styled luminaires

Provides soft, even illumination

Available in 1, 2, and 3 lamp configurations

Universal design fits in most troffers



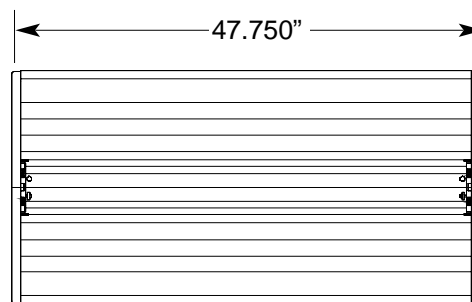
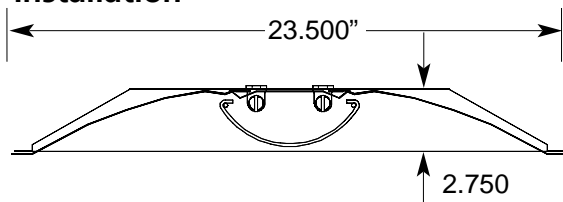
Technical Data

Endplates: 0.032" pre-painted cold-rolled steel. Prepunched for lampholders and wire passageway. Completely covers the ends of the existing fixture to provide a clean, seamless appearance.

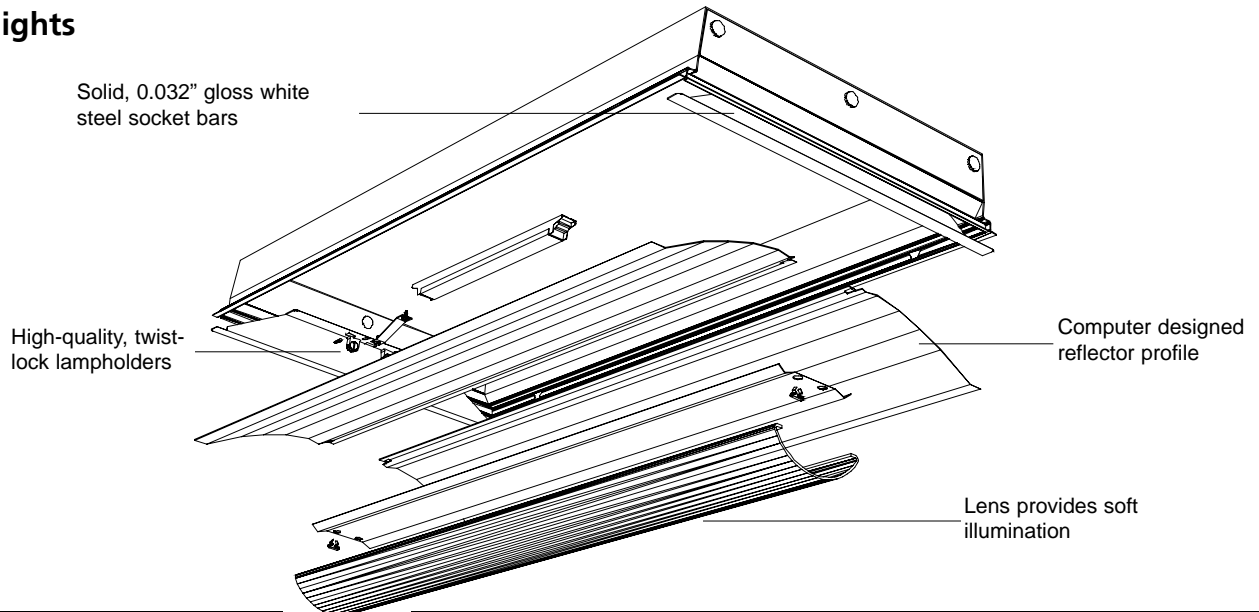
Reflector: The reflector is provided with a 92% reflective white enamel. The substrate is 0.020" high quality aluminum. The reflector profile is optimized using computer analysis and manufactured using state of the art CNC equipment. A protective premask is applied to all reflective surfaces prior to manufacture.

Installation: For retrofit, the existing door, ballast and socket bars are removed. With the new ballast installed, the ESI endplates are centered at the ends of the fixture. A grounding strap connects the endplates to the fixture housing. The side reflectors are attached with a tab-lock system. The center reflector is secured with quarter-turn fasteners and provides tool-free ballast access.

Installation



Highlights



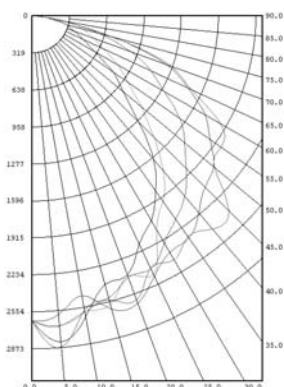
Photometrics - (2) 54W T5HO



Energy Solutions
Premium Lighting without the Premium Price

Energy Solutions International, Inc.
 1385 Mendota Heights Road
 Saint Paul, MN 55120

ENERGY SOLUTIONS 2 X 4 FLUORESCENT LUMINAIRE
 WITH WHITE REFLECTOR AND BASKET LENS
 TWO T5 LINEAR FLUORESCENT 54 WATT LAMPS, LUMEN RATING 5000 LMS.
 ONE SYLVANIA QT2X54/277/PLUS BALLAST OPERATING AT 277 VAC

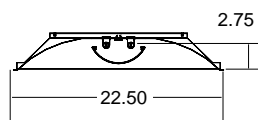


	0.00	22.50	45.00	67.50	90.00
0.00	2635	2635	2635	2635	2635
5.00	2825	2690	2873	2592	2683
10.00	2639	2594	2579	2451	2598
15.00	2401	2581	2522	2619	2542
20.00	2381	2391	2402	2641	2609
25.00	2170	2460	2409	2477	2397
30.00	2038	2127	2261	2355	2433
35.00	1840	1953	2144	2345	2327
40.00	1616	1742	2037	2221	2404
45.00	1278	1467	1868	2092	2384
50.00	1016	1216	1709	2030	2043
55.00	846	1004	1549	1864	1974
60.00	617	845	1301	1715	1870
65.00	487	673	1122	1477	1509
70.00	386	559	897	1219	1259
75.00	305	457	599	718	730
80.00	186	316	288	247	245
85.00	69.9	107	74.7	68.4	56.3
90.00	11.2	5.16	6.54	4.84	5.89

ZONAL LUMENS AND PERCENTAGES

Zone	Lumens	%Lamp	%Fixt
0- 30	2070	20.7	26.3
0- 40	3403	34.0	43.2
0- 60	6102	61.0	77.4
0- 90	7881	78.8	100.0
90-120	2	0.0	0.0
90-130	2	0.0	0.0
90-150	2	0.0	0.0
90-180	2	0.0	0.0
0-180	7883	78.8	100.0

** EFFICIENCY = 78.8% **



LUMINANCE SUMMARY - CD./SQ.M.

	0	45	90
0	3820.66	3820.66	3820.66
15	2275.66	3095.40	3905.41
50	1958.74	2961.88	3573.54
55	1792.29	2899.74	3735.21
60	1465.25	2668.47	3885.17
65	1225.48	2568.04	3506.02
70	1219.33	2341.73	3346.68
75	1208.53	1837.00	2287.67
80	969.73	1079.33	941.43
85	540.06	383.25	283.63

PAINT REFLECTANCE = 0.78 S/MH = 1.36
 SC (ALONG) = 1.15 SC (ACROSS) = 1.36
 PREPARED IN PHOTOPIA FOR
 ENERGY SOLUTIONS
 ST. PAUL, MN

Ordering Information

Part Number = Fixture Size + Reflector Material + # Lamps + Lamp Wattage + Options

(Example K-24DIWR254 = 2'x4' Direct/Indirect Retrofit Kit with a white aluminum reflector for 2-54W lamps)

Size	Reflector	# Lamps	Lamp Watts	Options
K-22DI - 2' x 2'	MM - MicroMatt	1	28	UNV - Universal Voltage Ballast
K-24DI - 2' x 4'	WR - White Enamel	2	54	841 - 800 Series 41K Lamps
		3		850 - 800 Series 50K Lamps