

Features

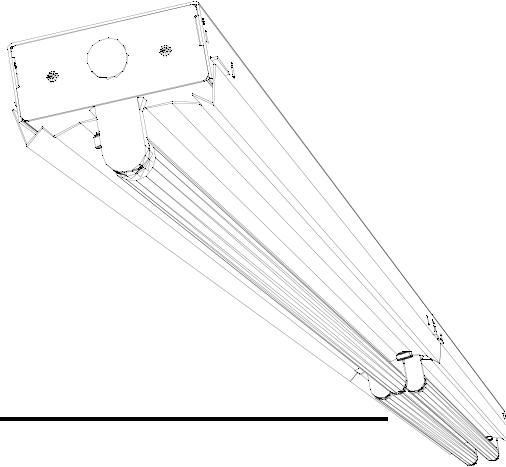
A Breakthrough Alternative to Four Lamp Fixtures

Superior Light Quality, 93.8 % Photometric Efficiency

Enhanced Merchandise Presentation

Low Maintenance Costs

Low Energy Consumption (77 - 87 Watts)



Technical Data

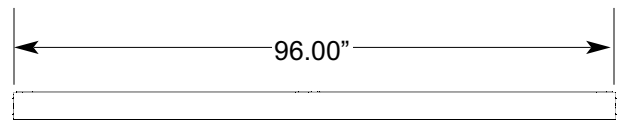
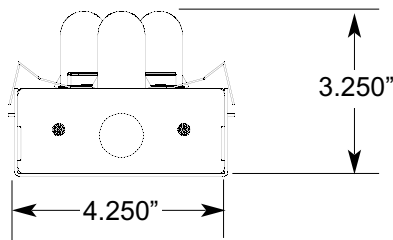
Housing: 20ga. (0.032") pre-painted die formed steel with sufficient knockouts for mounting and electrical supply.

Finish: All cold rolled steel parts are painted with a smooth, glossy, highly reflective white paint.

Reflector: Can be ordered with a 95% specular, a 85% specular, or a 92% diffuse white enamel. Substrate is 0.020" high quality aluminum. The reflector profile is optimized using computer analysis and manufactured using state of the art CNC equipment. A protective premask is applied to all reflective surfaces prior to manufacture.

Construction: The solid 0.032" steel body provides added rigidity. The socket bars and end-plates securely snap into place. The reflectors are attached to the fixture body with quarter-turn fasteners.

Installation



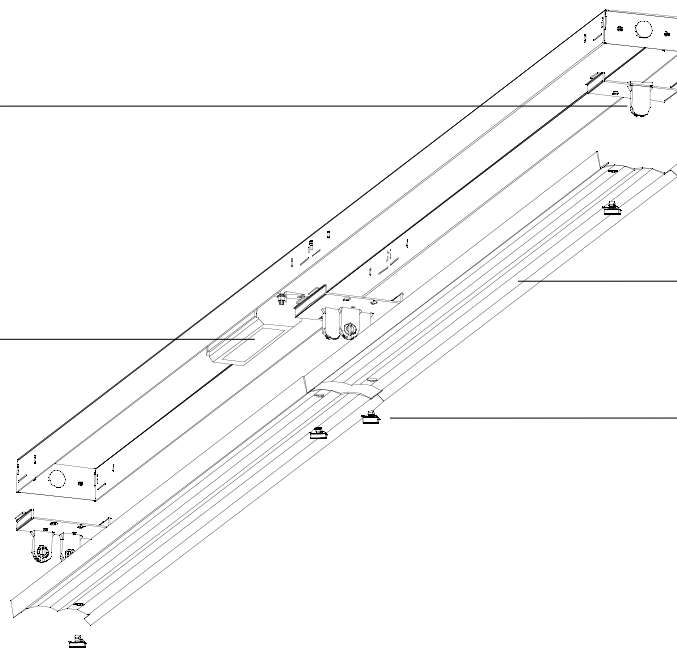
Highlights

Premium quality cam-lock lampholders

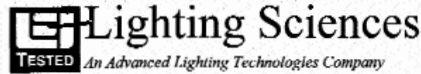
Low energy consumption (77-87 Watts)

Computer designed, CNC formed 0.020" specular aluminum reflector

Secure, quarter-turn reflector attachment



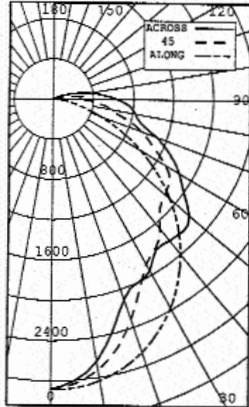
Photometrics



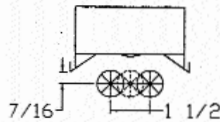
Lighting Sciences Inc.
7830 E. Evans Road
Scottsdale, Arizona 85260 USA
Tel: 480-991-9260 • Fax: 480-991-0375

CERTIFIED TEST REPORT No. LSI 15174

ENERGY SOLUTIONS 3 LAMP 1x8 STRIP KIT - RETAIL SERIES, CAT# 18SSEA332120N
WITH SPECULAR REFLECTORS AND NO LENS
THREE PHILIPS 32 WATT LAMPS, CAT# F32T8/TL83S. LUMEN RATING ~ 2950 LMS.
ONE ADVANCE REL-3P32-RHTP BALLAST OPERATING AT 120 VAC AND 87 WATTS



CANDLEPOWER SUMMARY				OUTPUT LUMENS
ANGLE	ALONG	45	67.5	ACROSS
0	2879	2879	2879	2879
5	2875	2862	2832	2792
15	2760	2685	2546	2394
25	2529	2361	2060	1985
35	2196	1916	1794	1811
45	1773	1458	1517	1745
55	1272	1117	1423	1575
65	749	819	1098	1248
75	309	541	750	863
85	68	233	444	695
90	11	76	286	573
95	0	64	275	440
105	0	0	61	179
115	0	0	0	27
125	0	0	0	0
135	0	0	0	0
145	0	0	0	0
155	0	0	0	0
165	0	0	0	0
175	0	0	0	0
180	0	0	0	0



ZONE	LUMENS	% LAMP	% LUMINAIRE
0-30	1983	22.41	23.91
0-40	3161	35.72	38.10
0-60	5661	63.97	68.23
0-90	7917	89.46	95.41
40-90	4755	53.74	57.31
60-90	2255	25.49	27.18
90-180	380	4.30	4.59
0-180	8298	93.76	100.00

** EFFICIENCY: 93.8% **

LUMINANCE SUMMARY CD./SQ.M.

ANGLE	ALONG	45	ACROSS
45	8994	7690	9243
55	7953	8799	9708
65	6356	8999	10611
75	4279	10214	9701
85	2782	7820	10341

S/MH: 1.0
SC(ALONG): 1.2, SC(ACROSS): 1.0

CERTIFIED BY: *James E. ...* DATE: DEC 15, 2000
PREPARED FOR: ENERGY SOLUTIONS INC.
ST. PAUL, MN

TESTED IN ACCORDANCE WITH IES PROCEDURES.

Case Study

250' x 250' x 14' Retail Space

Reflectances:

Ceiling 80
Walls 50
Floor 20

Luminaire:

ESI "Slim-Strip" 1x8 Fixture
(3) 32W FO32 T8 Lamps
Standard Power Ballast

Lightloss Factor: 0.80
Lumens / Lamp: 3050

Mounting

Height: 14'
Spacing: Continuous
Rows, 12' on Center

Results

Illuminance Level: 80.1fc
(at 2.5' from floor)

Ave / Min 1.3
Max / Min 1.5
Watts / Sq. Ft. 0.84

Ordering Information

Part Number = Fixture Size + Reflector Material + # Lamps + Lamp Wattage + Voltage + Ballast Type

(Example F-18SSEA332277N = 1'x8' Slim Strip with an enhanced aluminum reflector, 3-32W lamps, 277 volts, and a standard power ballast)

Size F-14SS - 1' x 4' F-18SS - 1' x 8'	Reflector EA - Enhanced Alum AA - Anodized Alum WR - White Enamel	# Lamps 1* 2* 3 4	Lamp Watts 32	Voltage 120 277 UNV	Ballast N - Standard H - High Ballast Factor L - Low Ballast Factor
---	---	--------------------------------------	-------------------------	-------------------------------------	---

* 1 and 2 Lamp option for 1' x 4' Kit