

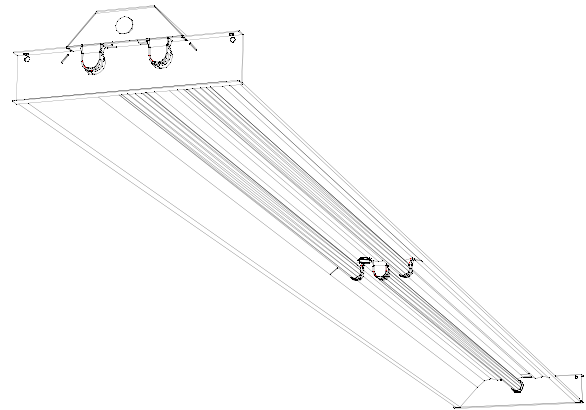
**Features**

*Superior Light Quality, 92.0% Photometric Efficiency (3-32W T8)*

*Enhanced Merchandise Presentation*

*Low Maintenance Costs*

*Low Energy Consumption*



**Technical Data**

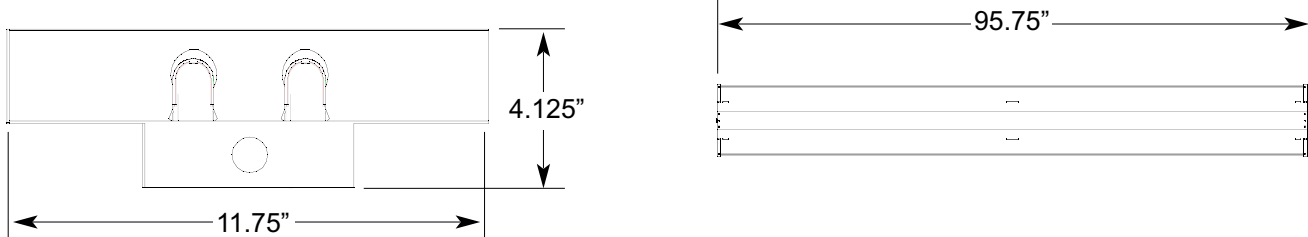
**Housing:** 0.032" pre-painted steel, die formed with sufficient knockouts for mounting and electrical supply.

**Finish:** All fixture components are painted with a smooth, glossy, highly reflective white paint.

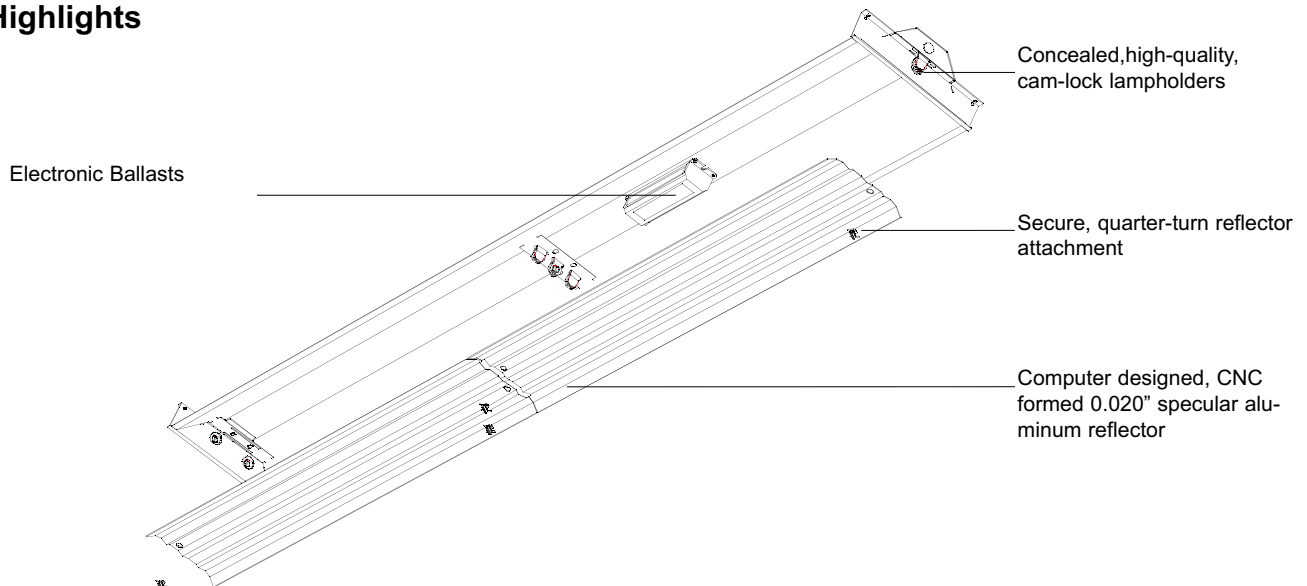
**Reflector:** Can be ordered with a 95% specular, a 85% specular, or a 92% diffuse white enamel. Substrate is 0.020" high quality aluminum. The reflector profile is optimized using computer analysis and manufactured using state of the art CNC equipment. A protective premask is applied to all reflective surfaces prior to manufacture.

**Construction:** The solid body provides exceptional rigidity. The integral brackets/endplates securely snap into place. The reflectors are attached to the fixture body with quarter-turn fasteners. No tools are required for reflector installation / removal.

**Installation**



**Highlights**



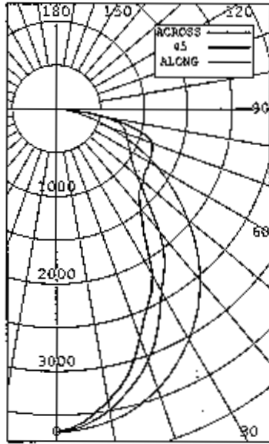
Photometrics

**Lighting Sciences**  
 An Advanced Lighting Technologies Joint Venture Company  
 Lighting Sciences Inc.  
 7830 E. Evans Road  
 Scottsdale, Arizona 85260 USA  
 Tel: 480-991-9260 • Fax: 480-991-0375  
 CERTIFIED TEST REPORT NO. LSI 14161

Case Study

250' x 250' x 14' Retail Space

ENERGY SOLUTIONS 1 X 8 FLUORESCENT LUMINAIRE  
 WITH WHITE INTERIOR, SPECULAR REFLECTORS AND NO LENS  
 THREE T8 LINEAR FLUORESCENT 32 WATT LAMPS. LUMEN RATING = 2950 LMS.  
 ONE GE B232I277RH BALLASTS OPERATING AT 120 VAC AND 87 WATTS



ANGLE	ALONG	45	67.5	ACROSS	OUTPUT LUMENS
0	3689	3689	3689	3689	3689
5	3672	3665	3633	3607	3592
10	3619	3579	3494	3427	3386
15	3527	3446	3286	3192	3136
20	3397	3273	3051	2950	2767
25	3232	3062	2738	2496	2457
30	3034	2822	2397	2268	2177
35	2808	2519	2152	1845	1728
40	2549	2188	1824	1514	1474
45	2268	1864	1436	1313	1328
50	1961	1575	1187	1028	1285
55	1652	1292	1039	1176	1232
60	1329	948	957	1148	1217
65	984	685	894	1112	1194
70	664	540	839	1078	1157
75	394	442	777	939	971
80	185	365	570	577	570
85	83	176	159	147	133
90	0	0	0	0	0

ZONAL LUMENS AND PERCENTAGES

ZONE	LUMENS	% LAMP	% LUMINAIRE
0-30	2555	28.87	31.37
0-40	3925	44.36	48.20
0-60	6280	70.97	77.10
0-90	8145	92.04	100.00
40-90	4219	47.68	51.60
60-90	1865	21.07	22.90
90-180	0	.00	.00
0-180	8145	92.04	100.00

\*\* EFFICIENCY = 92.0% \*\*

LUMINANCE SUMMARY - CD./SQ.F.

ANGLE	ALONG	45	ACROSS
45	5010	3184	2945
55	4499	2841	3368
65	3635	3316	4429
75	2380	4693	5881
85	1482	2862	2400

PAINT REFLECTANCE = .78 S/MH = .9  
 SC(ALONG) = 1.2, SC(ACROSS) = .9

CERTIFIED BY: [Signature]  
 DATE: JUN 22, 1999  
 PREPARED FOR: ENERGY MASTERS  
 ST. PAUL, MN

TESTED IN ACCORDANCE TO IES PROCEDURES.

Reflectances:

Ceiling	80
Walls	50
Floor	20

Luminaire:

ESI Performer 1' x 8'  
 (3) 32W FO32 T8 Lamps  
 Standard Power Ballast

Lightloss Factor: 0.80  
 Lumens / Lamp: 3050

Mounting

Height: 14'  
 Spacing: Continuous  
 Rows, 12' on Center

Results

Illuminance Level: 81.3 fc  
 (at 2.5' from floor)

Ave / Min 1.3  
 Max / Min 1.5  
 Watts / Sq. Ft. 0.91

Ordering Information

Part Number = Fixture Size + Reflector Material + # Lamps + Lamp Wattage + Voltage + Ballast Type

(Example F-18RSEA332277N = 1'x8' Recessed Strip with an enhanced aluminum reflector, 3-32W lamps, 277 volts, and a standard power ballast)

<b>Size</b> F-14RS - 1' x 4' F-18RS - 1' x 8'	<b>Reflector</b> EA - Enhanced Alum AA - Anodized Alum WR - White Enamel	<b># Lamps</b> 1* 2* 3 6	<b>Lamp Watts</b> 32 54	<b>Voltage</b> 120 277 UNV	<b>Ballast</b> N - Standard H - High Ballast Factor L - Low Ballast Factor
---	---	--------------------------------------	-------------------------------	-------------------------------------	---

\* 1 and 2 Lamp option for 1' x 4' Fixture