

Features

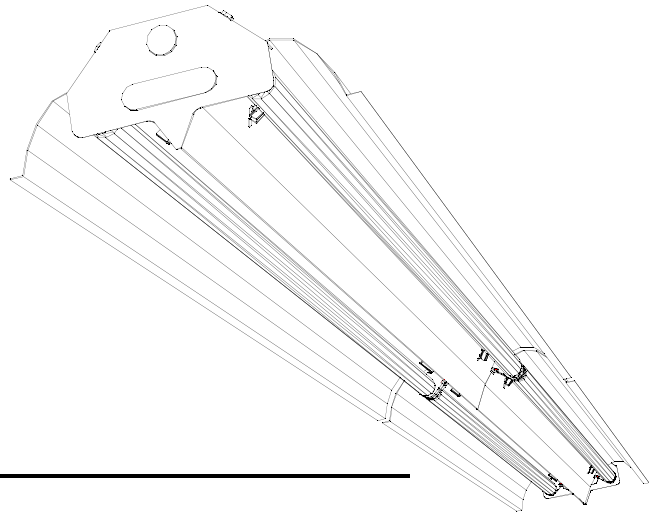
Sleek industrial styling created specifically for retail environments

Superior Light Quality, 93.2% Photometric Efficiency

Rigid, Four-Bend Press-Brake Formed Body

Oversize reflectors made from superior-grade 0.032" Mirro4 aluminum

Optional EasyLoc alignment plate and SlideMount mounting system



Technical Data

Housing: 20ga. (0.036") pre-painted steel die formed with sufficient knockouts for mounting and electrical supply.

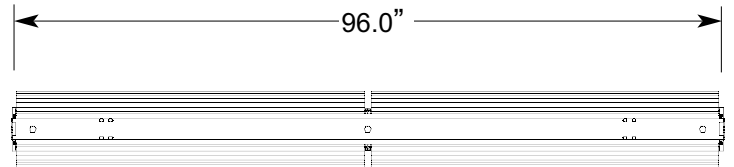
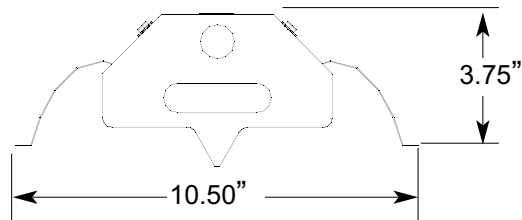
Finish: All cold rolled steel parts are painted with a smooth, glossy, highly reflective white paint.

Reflector: Can be ordered with a 95% specular, a 85% specular, or a 92% diffuse white enamel. (For maximum performance, 95% specular is recommended.) Substrate is 0.020" high quality aluminum. The reflector profile is optimized using computer analysis and manufactured using state of the art CNC equipment. A protective premask is applied to all reflective surfaces prior to manufacture.

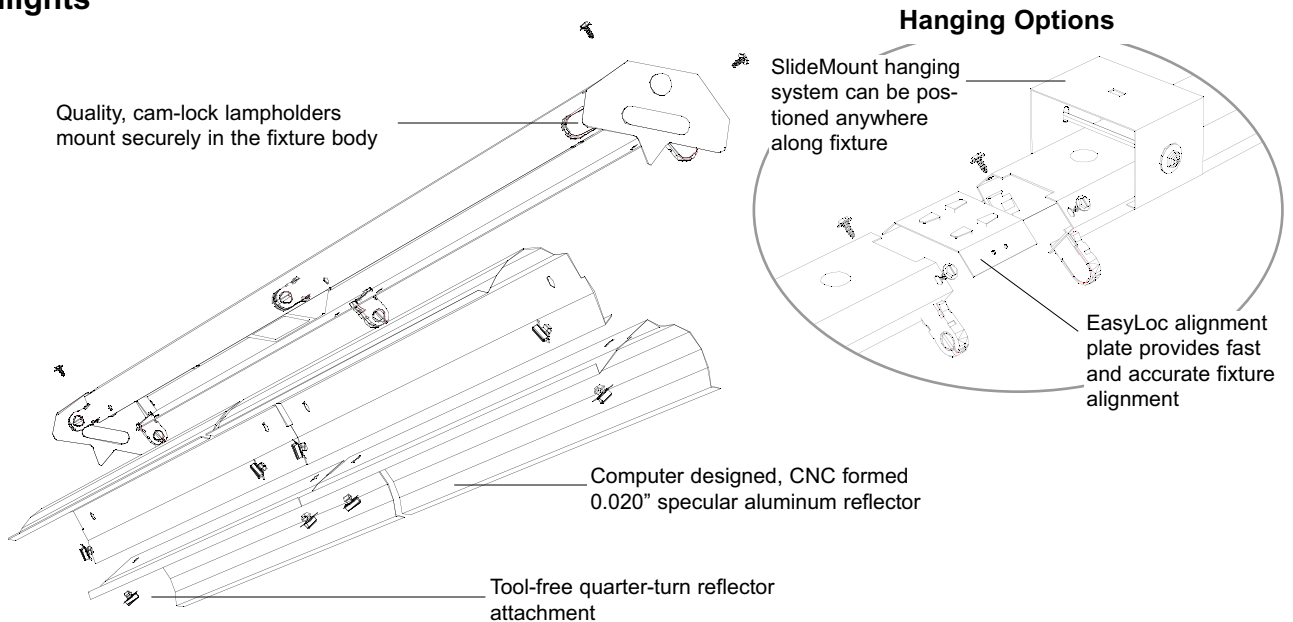
Construction: The solid four-bend body provides added rigidity. The socket bars and endplates securely screw into place. The reflectors are attached to the fixture body with a quarter-turn system. No tools or additional fasteners are required for reflector installation and removal.

Mounting: Fixture can be surface, pendant, or chain suspended.

Installation



Highlights



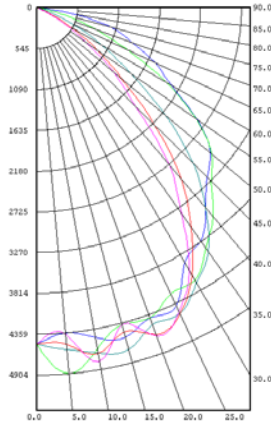
Photometrics



Energy Solutions International, Inc.
141 State Street
Saint Paul, MN 55107

ENERGY SOLUTIONS 1 X 8 FLUORESCENT LUMINAIRE
WITH WHITE INTERIOR, SPECULAR REFLECTORS AND NO LENS
FOUR T8 LINEAR FLUORESCENT 32 WATT LAMPS, LUMEN RATING 2950 LMS.
ONE SYLVANIA QT 4X32/277 BALLASTS OPERATING AT 277 VAC AND 112 WATTS

CANDLEPOWER SUMMARY

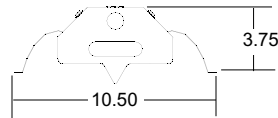


0.00	4495	4495	4495	4495	4495
5.00	4360	4904	4583	4511	4373
10.00	4472	4626	4680	4692	4799
15.00	4560	4382	4723	4480	4376
20.00	4408	4404	4506	4641	4664
25.00	4398	4219	4511	4521	4480
30.00	3938	4209	4254	4136	4072
35.00	3807	3928	3984	3588	3373
40.00	3501	3652	3500	3002	2737
45.00	3209	3288	2957	2217	1860
50.00	3023	3044	2232	1482	1330
55.00	2624	2600	1516	989	787
60.00	2065	1985	989	539	415
65.00	1731	1314	549	215	137
70.00	1338	803	196	20.7	0.000
75.00	1036	392	30.1	0.000	0.000
80.00	481	118	8.84	0.000	0.000
85.00	78.9	25.6	4.93	0.000	0.000
90.00	12.4	7.00	1.66	0.000	0.000

ZONAL LUMENS AND PERCENTAGES

Zone	Lumens	#Lamp	%Lamp
0- 30	3749	32.3	34.7
0- 40	6095	52.5	56.4
0- 60	9741	84.0	90.1
0- 90	10803	93.1	100.0
90-120	4	0.0	0.0
90-130	4	0.0	0.0
90-150	4	0.0	0.0
90-180	4	0.0	0.0
0-180	10806	93.2	100.0

** EFFICIENCY = 93.2% **



LUMINANCE SUMMARY - CD/SQ.M.

Zone	Lumens	#Lamp	%Lamp
0- 30	3749	32.3	34.7
0- 40	6095	52.5	56.4
0- 60	9741	84.0	90.1
0- 90	10803	93.1	100.0
90-120	4	0.0	0.0
90-130	4	0.0	0.0
90-150	4	0.0	0.0
90-180	4	0.0	0.0
0-180	10806	93.2	100.0

PAINT REFLECTANCE = 0.78 SM/H = 1.27
SC (ALONG) = 1.31 SC (ACROSS) = 1.27
PREPARED IN PHOTOFA FOR
ENERGY SOLUTIONS
ST. PAUL, MN

Ordering Information

Part Number = Fixture Size + Reflector Material + # Lamps + Lamp Wattage + Voltage + Options

(Example 18DVEA432277-WH-HGRPL = 1'x8' Retail Deep-V Strip, 4-32W lamps, 277 volts, wire harness, and cable hanger)

Size	Reflector	# Lamps	Lamp Watts	Voltage	Options
14DV - 1' x 4'	EA - Enhanced Alum	2	32	120	WH - Wire Harness
18DV - 1' x 8'		4		277	HGRPL - Cable Hanger
				UNV	