

Features

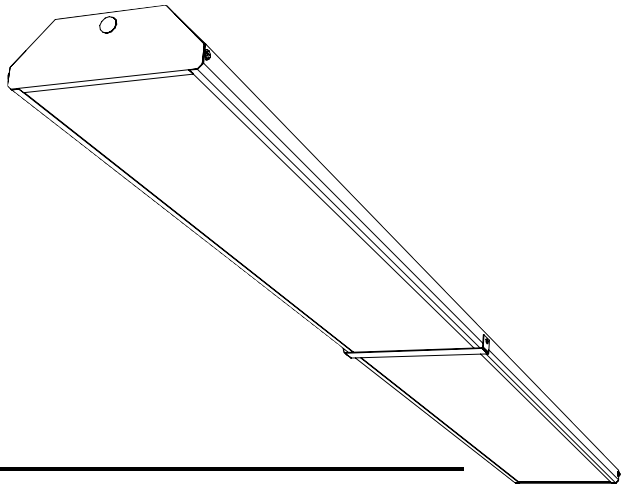
A Breakthrough Alternative to HID High-Bay Systems

Superior Light Quality, 90.6% Photometric Efficiency (with clear lens)

Rigid, Eight-Bend Press-Brake Formed Body

Available with specular reflectors

302 Watts (8-32W with high-lumen ballasts)



Technical Data

Housing: 20ga. (0.032") pre-painted steel die formed with sufficient knockouts for mounting and electrical supply.

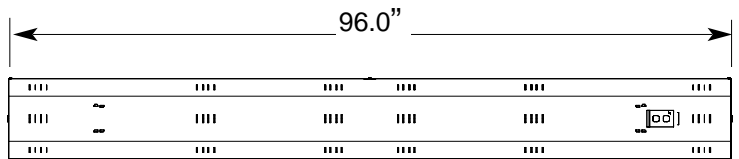
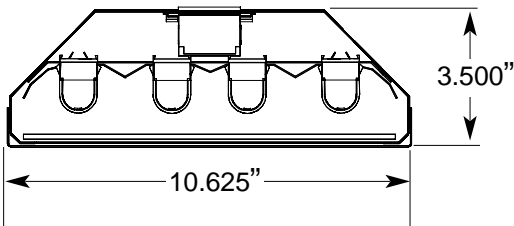
Finish: All cold rolled steel parts are painted with a smooth, glossy, highly reflective white paint.

Reflector: Can be ordered with a 95% specular, a 85% specular, or a 92% diffuse white enamel. (For maximum performance, 95% specular is recommended.) Substrate is 0.020" high quality aluminum. The reflector profile is optimized using state of the art CNC equipment. A protective pre-mask is applied to all reflective surfaces prior to manufacture.

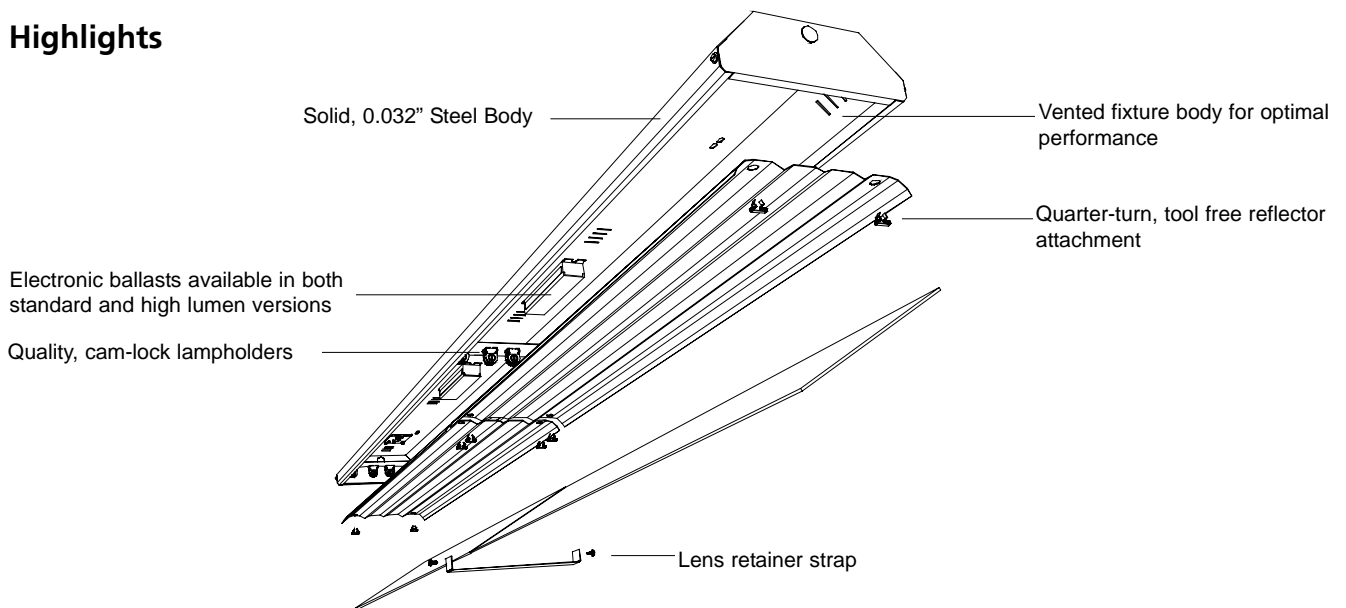
Construction: The solid eight-bend body provides added rigidity. The socket bars and end-plates attach securely with screws. The reflectors are attached to the socket-bars with quarter-turn fasteners. No tools are required for reflector installation and removal.

Mounting: Fixture can be surface, pendant, or chain suspended.

Installation



Highlights



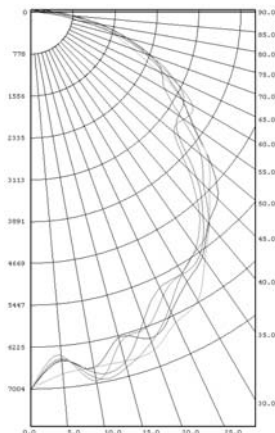
Photometrics - (8) 32W with clear lens



Energy Solutions
Premium Lighting without the Premium Price

Energy Solutions International, Inc.
1385 Mendota Heights Road
Saint Paul, MN 55120

ENERGY SOLUTIONS 1 X 8 FLUORESCENT LUMINAIRE
WITH WHITE INTERIOR, SPECULAR REFLECTOR AND CLEAR LENS
EIGHT T8 LINEAR FLUORESCENT 32 WATT LAMPS, LUMEN RATING 2950 LMS.
TWO SYLVANIA QT3X32/277/PLUS BALLAST AND ONE SYLVANIA QT2X32/277/PLUS
BALLAST OPERATING AT 277 VAC AND 302 WATTS



	0.00	22.50	45.00	67.50	90.00
0.00	7004	7004	7004	7004	7004
5.00	6491	6748	6461	6506	6400
10.00	6716	6701	6907	6800	6965
15.00	6262	6714	6839	6731	6363
20.00	6454	6674	6525	6096	6247
25.00	6161	6368	6066	5648	5801
30.00	5789	6188	5614	5631	5596
35.00	5544	5620	5383	5482	5336
40.00	5117	5148	5132	4975	4860
45.00	4895	4682	4530	4348	4123
50.00	4352	4303	4118	3586	3470
55.00	3675	3703	3413	3342	3463
60.00	3238	3229	2864	3279	3459
65.00	2749	2587	2676	2945	2880
70.00	2235	2001	2376	2354	2330
75.00	1681	1583	1794	1826	1854
80.00	888	1145	1267	1318	1295
85.00	407	589	717	790	849
90.00	92.9	202	343	451	466

ZONAL LUMENS AND PERCENTAGES

Zone	Lumens	%Lamp	%Fixt
0- 30	5304	22.9	25.2
0- 40	8718	37.6	41.5
0- 60	15374	66.3	73.2
0- 90	20701	89.2	98.5
90-120	314	1.4	1.5
90-130	314	1.4	1.5
90-150	314	1.4	1.5
90-180	314	1.4	1.5
0-180	21015	90.6	100.0

** EFFICIENCY = 90.6% **

LUMINANCE SUMMARY - CD./SQ.M.

	0	45	90
0	10769.54	10769.54	10769.54
45	10230.69	7631.17	6540.51
50	9932.33	7314.82	5755.85
55	9213.62	6463.64	6086.75
60	9203.14	5856.02	6476.90
65	9202.33	5995.86	5935.20
70	9039.92	5936.47	5188.60
75	8672.59	5199.50	4818.19
80	8399.29	4232.32	3495.85
85	4899.58	2924.14	2857.59

PAINT REFLECTANCE = 0.78 S/MH = 1.19
SC (ALONG) = 1.23 SC (ACROSS) = 1.19
PREPARED IN PHOTOPIA FOR
ENERGY SOLUTIONS
ST. PAUL, MN

Ordering Information

Part Number = Fixture Size + Reflector Material + # Lamps + Lamp Wattage + Voltage + Ballast Type + Options

(Example 18XPEA832277H = 1'x8' XP Fixture with an enhanced aluminum reflector, 8-32W lamps, 277 volts, and a high power ballast)

Size	Reflector	# Lamps	Lamp Watts	Voltage	Ballast	Options
14XP - 1' x 4'	EA - Enhanced Alum	4	32	120	N - Normal	CL - Clear Lens
18XP - 1' x 8'	AA - Anodized Alum	8	54	277	H - High Ballast Factor	PR - Prismatic Lens
	WR - White Enamel				L - Low Ballast Factor	