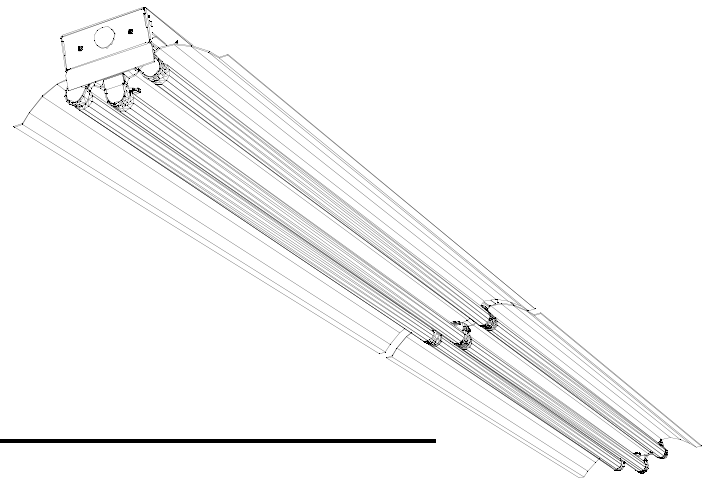


Features

- Ideal for retail and warehouse space
- Snap-in end plates and socket bars
- Computer designed specular reflectors



Technical Data

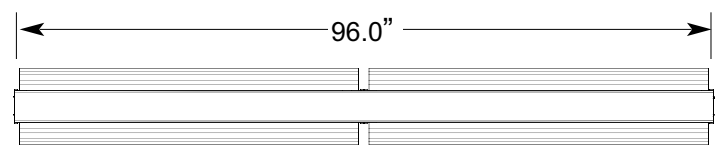
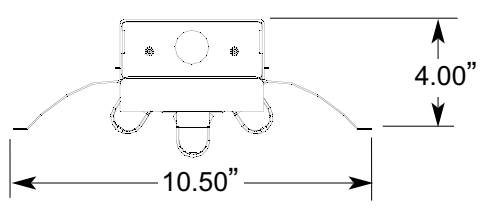
Housing: 20ga. (0.032") pre-painted die formed steel with sufficient knockouts for mounting and electrical supply.

Finish: All cold rolled steel parts are painted with a smooth, glossy, highly reflective white paint.

Reflector: Can be ordered with a 95% specular, a 85% specular, or a 92% diffuse white enamel. Substrate is 0.020" high quality aluminum. The reflector profile is optimized using computer analysis and manufactured using state of the art CNC equipment. A protective premask is applied to all reflective surfaces prior to manufacture.

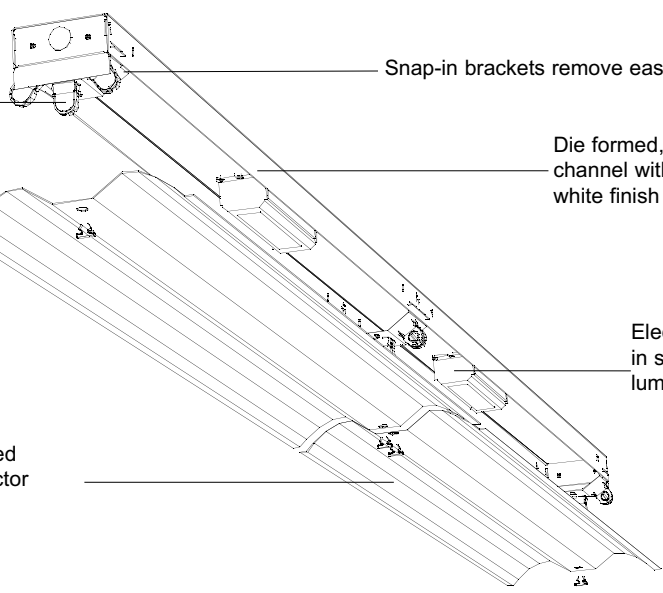
Construction: The solid 0.032" steel body provides added rigidity. The socket bars and end-plates securely snap into place. The reflectors are attached to the fixture body with quarter-turn fasteners.

Installation



Highlights

High quality, twist-lock lampholders



Snap-in brackets remove easily without tools

Die formed, 0.032" steel channel with a high gloss white finish

Electronic ballasts available in standard, high, and low lumen versions

Computer designed, CNC formed 0.020" specular aluminum reflector

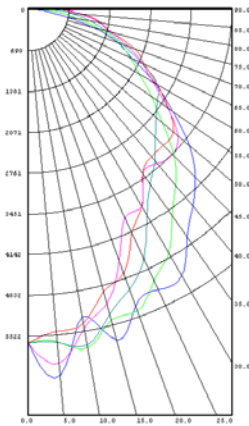
Photometrics



Energy Solutions International, Inc.
141 State Street
Saint Paul, MN 55107

ENERGY SOLUTIONS 1X8 FLUORESCENT LUMINAIRE
WITH WHITE INTERIOR, SPECULAR REFLECTOR AND NO LENS
SIX T8 LINEAR FLUORESCENT 32 WATT LAMPS, LUMEN RATING 2900 LMS.
TWO SYLVANIA QT3X32/277 BALLASTS OPERATING AT 277 VAC

CANDLEPOWER SUMMARY

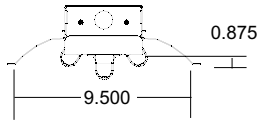


	0.00	22.50	45.00	67.50	90.00
0.00	5635	5635	5635	5635	5635
5.00	6213	5631	5650	5462	6005
10.00	5274	5809	5753	5392	5467
15.00	5787	5439	5316	4935	5146
20.00	5316	5419	5024	4735	4501
25.00	5227	5045	4626	4155	3870
30.00	5208	4769	4014	3842	3825
35.00	4704	4255	3595	3373	3384
40.00	4342	3895	3228	3240	3292
45.00	4009	3500	3035	3242	3461
50.00	3573	2983	2837	3212	3315
55.00	2997	2545	2678	2912	2894
60.00	2475	2171	2544	2521	2439
65.00	1940	1887	2110	2162	2121
70.00	1602	1632	1696	1907	1788
75.00	1111	1234	1356	1438	1451
80.00	599	838	1037	1231	1219
85.00	279	537	760	932	905
90.00	79.3	190	422	550	607

ZONAL LUMENS AND PERCENTAGES

Zone	Lumens	%Lamp	%Fixt
0- 30	4160	23.9	25.9
0- 40	6584	37.8	41.0
0- 60	11662	67.0	72.6
0- 90	15887	91.3	98.9
90-120	180	1.0	1.1
90-130	180	1.0	1.1
90-150	180	1.0	1.1
90-180	180	1.0	1.1
0-180	16067	92.3	100.0

** EFFICIENCY = 92.3% **



LUMINANCE SUMMARY - CD./SQ.M.

	0	45	90
0	8616.47	8616.47	8616.47
45	8420.44	5424.06	5905.26
50	8210.79	5398.22	5979.72
55	7468.39	5491.62	5581.05
60	7202.01	5705.60	5098.36
65	6601.07	5264.88	4877.05
70	6625.51	4807.74	4800.09
75	5912.27	4490.34	4291.21
80	4522.77	4169.57	4265.60
85	3667.27	3922.21	3914.99

PAINT REFLECTANCE = 0.78 SMH = 0.97
SC (ALONG) = 1.32 SC (ACROSS) = 0.97
PREPARED IN PHOTOPIA FOR
ENERGY SOLUTIONS
ST. PAUL, MN

Ordering Information

Part Number = Fixture Size + Reflector Material + # Lamps + Lamp Wattage + Voltage + Ballast Type + Options

(Example F-18PEEA632277H = 1'x8' Power Economy Strip with an enhanced reflector, 6-32W lamps, 277 volts, and a high power ballast)

Size F-14PE - 1' x 4' F-18PE - 1' x 8'	Reflector EA - Enhanced Alum AA - Anodized Alum WR - White Enamel	# Lamps 3 6	Lamp Watts 32 54	Voltage 120 277 UNV 480	Ballast N - Normal H - High Ballast Factor L - Low Ballast Factor
---	---	--------------------------	-------------------------------	--	---