

**Features**

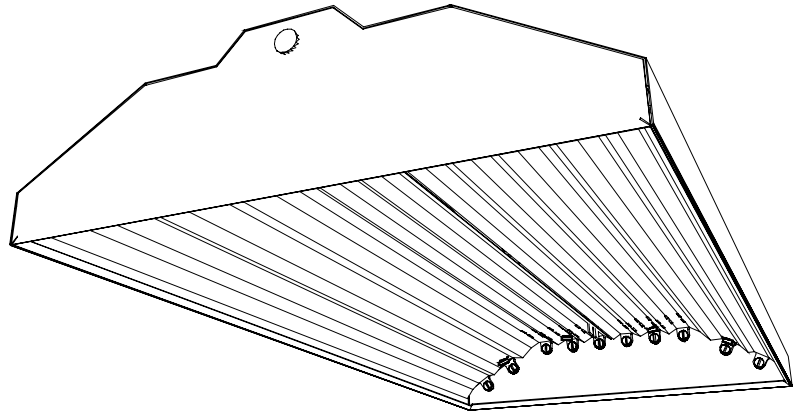
*A Breakthrough Alternative to HID High-Bay Systems*

*Superior Light Quality and Efficiency*

*Mono-point Construction*

*5-level dimming capabilities*

*585 Watts ( 10 Lamp T5HO )*



**Technical Data**

**Housing:** 20ga. (0.032") pre-painted steel die formed with sufficient knockouts for mounting and electrical supply.

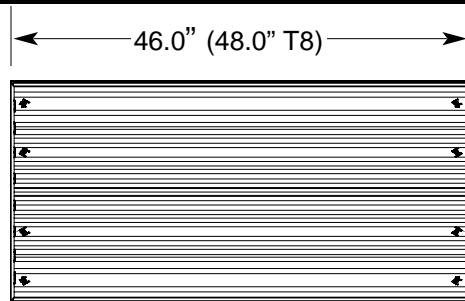
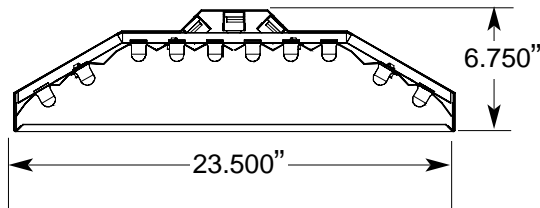
**Finish:** All cold rolled steel parts are painted with a smooth, glossy, highly reflective white paint.

**Reflector:** Can be ordered with a 95% specular, a 85% specular, or a 92% diffuse white enamel. (For maximum performance, 95% specular is recommended.) Substrate is 0.020" high quality aluminum. The reflector profile is optimized using state of the art CNC equipment. A protective premask is applied to all reflective surfaces prior to manufacture.

**Construction:** The solid ten-bend body provides added rigidity. The socket bars and endplates securely snap into place. The reflectors are attached to the fixture body with a quarter-turn fasteners. No tools or additional fasteners are required for reflector installation and removal.

**Mounting:** Fixture is designed for pendant mount applications

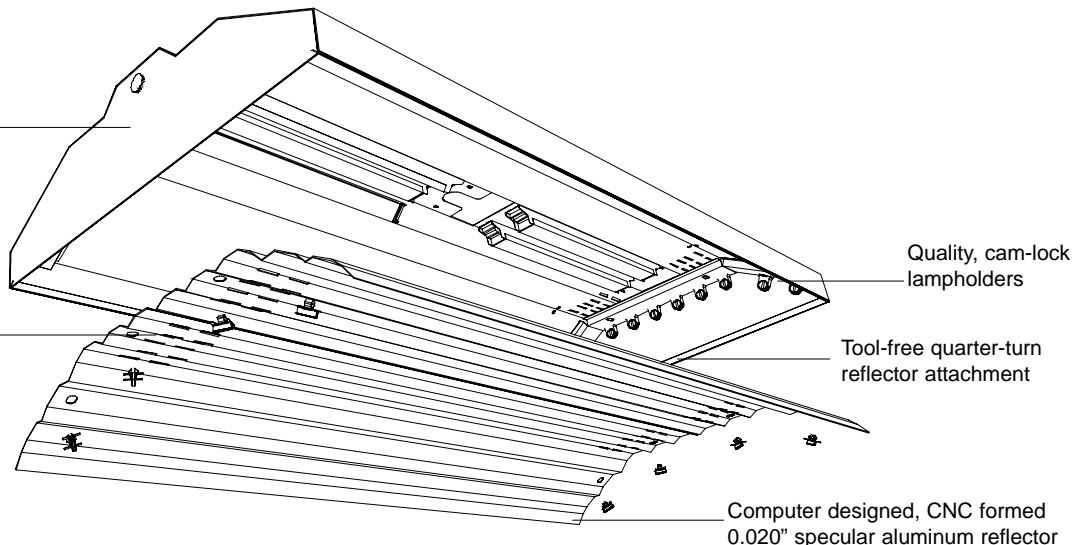
**Installation**



**Highlights**

Solid, 0.032" steel body provides superior rigidity and durability

Vented to allow excess heat to dissipate



Quality, cam-lock lampholders

Tool-free quarter-turn reflector attachment

Computer designed, CNC formed 0.020" specular aluminum reflector

Photometrics

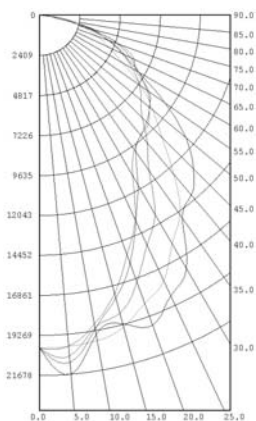


**Energy Solutions**  
Premium Lighting without the Premium Price

Energy Solutions International, Inc.  
1385 Mendota Heights Road  
Saint Paul, MN 55120

.ENERGY SOLUTIONS 2 X 4 FLUORESCENT LUMINAIRE  
WITH WHITE INTERIOR, SPECULAR REFLECTOR AND NO LENS  
TEN T5HO LINEAR FLUORESCENT 54 WATT LAMPS, LUMEN RATING 5000 LMS.  
FIVE SYLVANIA QT254UNV BALLASTS OPERATING AT 277 VAC AND 585 WATTS

CANDLEPOWER SUMMARY



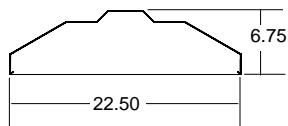
	0.00	22.50	45.00	67.50	90.00
0.00	20044	20044	20044	20044	20044
5.00	21678	19995	20589	20974	19995
10.00	19484	19887	19083	19173	18882
15.00	19229	19422	18569	17617	17323
20.00	19834	18430	17059	15842	15324
25.00	18628	17630	15232	13631	13532
30.00	17642	15917	13807	11746	11137
35.00	14944	14685	11417	10022	9890
40.00	14153	12577	10020	9412	9421
45.00	13088	10385	8660	9041	9208
50.00	11480	8844	7919	8607	8561
55.00	9190	7423	7299	7864	8027
60.00	6867	5769	6415	6873	6652
65.00	5594	4621	5442	6003	6243
70.00	4393	3655	4333	4896	5085
75.00	2899	2677	3176	3409	3276
80.00	1156	1611	1810	1839	1836
85.00	354	498	685	730	808
90.00	22.7	88.8	84.4	69.7	35.3

ZONAL LUMENS AND PERCENTAGES

Zone	Lumens	%Lamp	%Fixt
0- 30	14259	28.5	31.0
0- 40	21939	43.9	47.8
0- 60	36449	72.9	79.4
0- 90	45905	91.8	100.0
90-120	19	0.0	0.0
90-130	19	0.0	0.0
90-150	19	0.0	0.0
90-180	19	0.0	0.0
0-180	45924	91.8	100.0

\*\* EFFICIENCY = 91.8% \*\*

PAINT REFLECTANCE = 0.78 S/MH = 0.93  
SC (ALONG) = 1.25 SC (ACROSS) = 0.93  
PREPARED IN PHOTOPIA FOR  
ENERGY SOLUTIONS  
ST. PAUL, MN



LUMINANCE SUMMARY - CD./SQ.M.

	0	8	45	90
0	27690.44	27690.44	27690.44	
45	23157.37	13812.90	14820.11	
50	21948.07	13411.26	14661.89	
55	19267.84	13304.94	14809.34	
60	16074.09	12755.81	13411.01	
65	14946.12	12001.29	13989.35	
70	13794.90	10816.83	12936.84	
75	11342.47	9214.95	9724.70	
80	5780.00	6328.16	6599.42	
85	2559.44	3040.19	3737.88	

Ordering Information

Part Number = Fixture Size + Reflector Material + # Lamps + Lamp Wattage + Voltage + Ballast Type + Options

(Example F-24PBEA1054UNV-WG = 2'x4' Power Bay with an enhanced alum. reflector, 10-54W lamps, universal voltage ballasts, and a wire guard

Size	Reflector	# Lamps	Lamp Watts	Voltage	Options
F-24PB - 2' x 4'	EA - Enhanced Alum AA - Anodized Alum WR - White Enamel	8 9 10 (T5) 12 (T5)	32 54	UNV UNVH 480	WG - Wire Guard