

**Features**

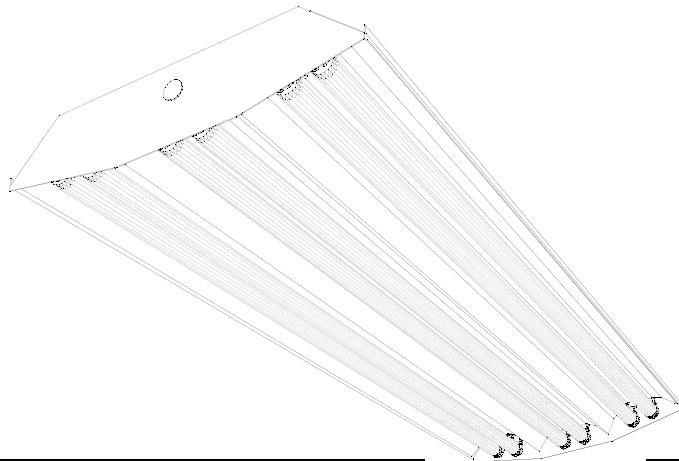
*A Breakthrough Alternative to HID High-Bay Systems*

*Superior Light Quality, Maximum Photometric Efficiency*

*Available with optional uplight notching*

*Optional wire guard and acrylic or lexan lens*

*228W (6-32W HP), 180W (6-32W Normal)*



**Technical Data**

**Housing:** 20ga. (0.032") pre-painted steel die formed with sufficient knockouts for mounting and electrical supply.

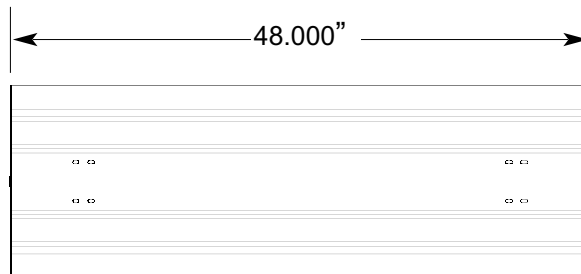
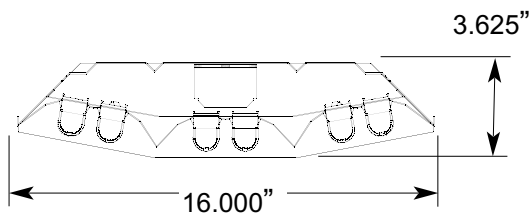
**Finish:** All cold rolled steel parts are painted with a smooth, glossy, highly reflective white paint.

**Reflector:** Can be ordered with a 95% specular, a 85% specular, or a 92% diffuse white enamel. Substrate is 0.020" high quality aluminum. The reflector profile is optimized using computer analysis and manufactured using state of the art CNC equipment. A protective premask is applied to all reflective surfaces prior to manufacture.

**Construction:** The solid fourteen-bend body provides added rigidity. The socket bars are securely bolted to the fixture body. The reflector attaches with quarter-turn fasteners. No tools are required for reflector installation and removal.

**Mounting:** Fixture is designed for surface, pendant mount, or suspended applications

**Installation**



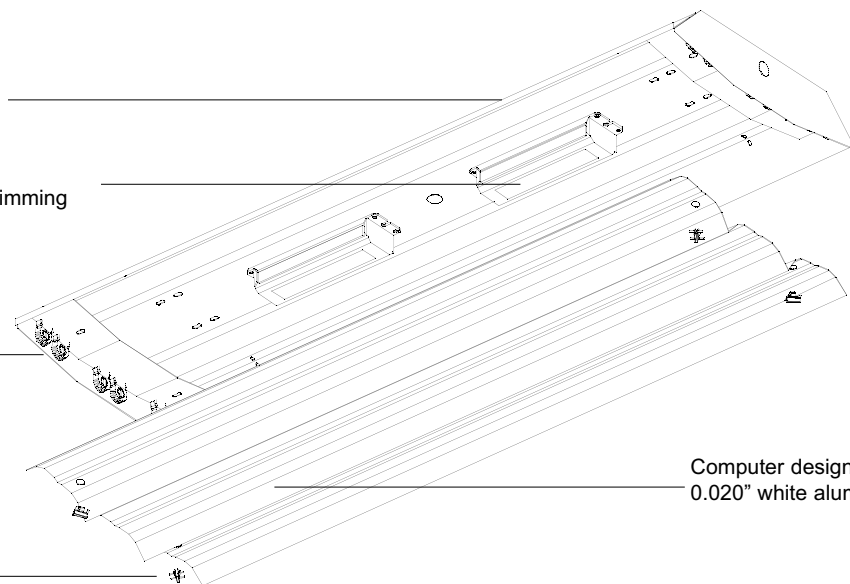
**Highlights**

Solid, 0.032" steel body provides superior rigidity and durability

High-output electronic ballasts:  
 \* instant start  
 \* program rapid start continuous dimming

Quality, cam-lock lampholders

Tool-free quarter-turn reflector attachment

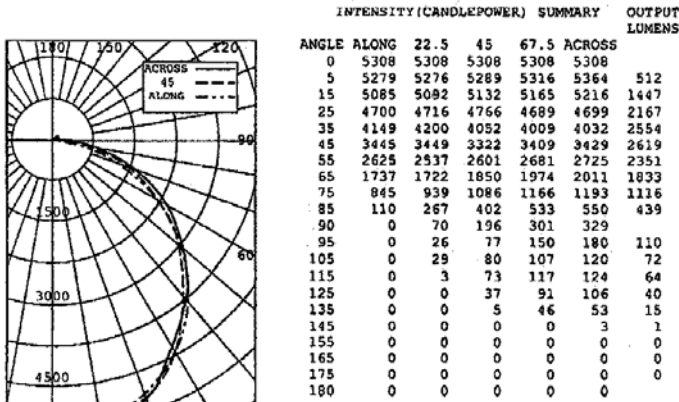


Computer designed, CNC formed 0.020" white aluminum reflector

Photometrics

1x4 Eco-bright, 6-32W, 95% Specular Reflector

ENERGY SOLUTIONS - CEILING MOUNT INDOOR LUMINAIRE, CAT# F-14ECEA632277H-U WITH SPECULAR REFLECTOR, NO LENS AND UPLIGHT SLOTS  
SIX PHILIPS 32 WATT T8 LAMPS, CAT# F32T8/TL845. LUMEN RATING = 3000 LMS.  
TWO TCP E3/21S32-277 BALLASTS OPERATING AT 277 VAC AND 225 WATTS



ZONE	LUMENS	% LAMP	% LUMINAIRE
0-30	4125	22.92	26.89
0-40	6679	37.11	43.54
0-60	11648	64.72	75.94
0-90	15036	83.54	98.03
40-90	8357	46.43	54.48
60-90	3387	18.82	22.09
90-180	302	1.68	1.97
0-180	15339	85.22	100.00

\*\* EFFICIENCY: 85.2% \*\*

LUMINANCE SUMMARY CD./SQ.M.

S/MH: 1.2  
SC: 1.2

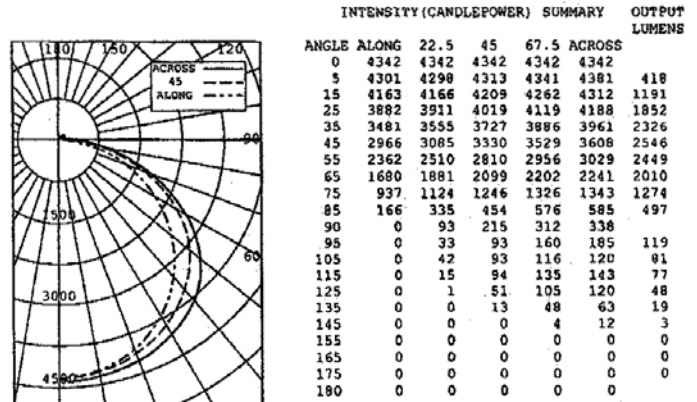
ANGLE	ALONG	45	ACROSS
45	9833	9533	9816
55	9234	9180	9675
65	8294	8919	9665
75	6586	8449	9003
85	2543	7397	8621

CERTIFIED BY: DATE: AUG 1, 2003  
PREPARED FOR: ENERGY SOLUTIONS ST. PAUL, MN

TESTED IN ACCORDANCE WITH IES PROCEDURES.

1x4 Eco-bright, 6-32W, 92% White Reflector

TCP CEILING MOUNT INDOOR LUMINAIRE, CAT# F-14ECWR632277H-U WITH WHITE INTERIOR, NO LENS AND UPLIGHT SLOTS  
SIX PHILIPS 32 WATT T8 LAMPS, CAT# F32T8/TL845. LUMEN RATING = 3000 LMS.  
TWO TCP E3/21S32-277 BALLASTS OPERATING AT 277 VAC AND 225 WATTS



ZONE	LUMENS	% LAMP	% LUMINAIRE
0-30	3460	19.23	23.21
0-40	5786	32.15	38.81
0-60	10781	59.90	72.31
0-90	14562	80.90	97.67
40-90	8776	48.76	58.86
60-90	3781	21.01	25.36
90-180	346	1.93	2.33
0-180	14909	82.83	100.00

\*\* EFFICIENCY: 82.8% \*\*

LUMINANCE SUMMARY - CD./SQ.M.

PAINT REFLECTANCE: 0.75, S/MH: 1.4  
SC(ALONG): 1.3, SC(ACROSS): 1.4

ANGLE	ALONG	45	ACROSS
45	8466	9555	10328
55	8311	9920	10755
65	8022	10118	10767
75	7309	9691	10134
85	3851	8368	9172

CERTIFIED BY: DATE: AUG 1, 2003  
PREPARED FOR: TECHNICAL CONSUMER PRODUCTS AURORA, OH

TESTED IN ACCORDANCE WITH IES PROCEDURES.

Ordering Information

Part Number = Fixture Size + Reflector Material + # Lamps + Lamp Wattage + Voltage + Ballast Type + Options

(Example F-14ECWR632277H = 1'x4' Eco-bright High Bay with an 92% white reflector, 6-32W lamps, 277 volts high ballast factor)

Size	Reflector	# Lamps	Lamp Watts	Voltage	Ballast	Options
F-14EC - 1' x 4'	EA - 95% Enhanced Alum	3	32	120	N - Normal	WG - Wire Guard
	AA - 85% Anodized Alum	4	54	277	H - High Ballast Factor	U - Uplight Notching
	WR - 92% White Enamel	5		UNV	D - Dimming	
		6		480		