

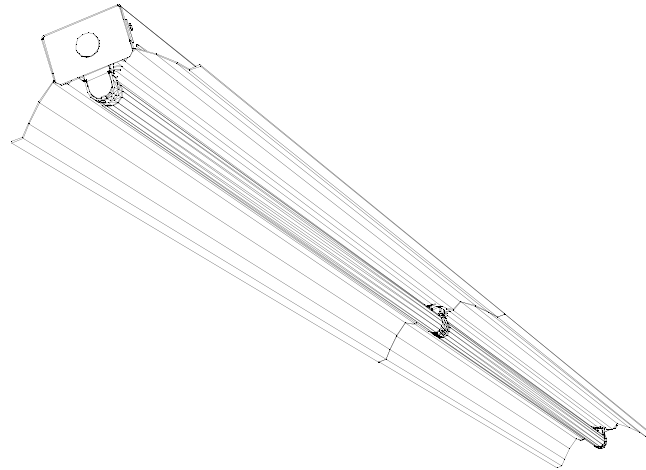
**Features**

*Focused design (0.47 spacing criteria with 1L cross-section) effectively illuminates narrow aisles*

*Available in tandem configurations up to 32'*

*Can be chain, pendant or surface mounted*

*94.6% photometric efficiency*



**Technical Data**

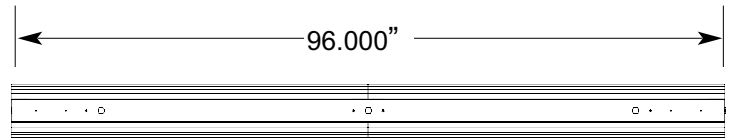
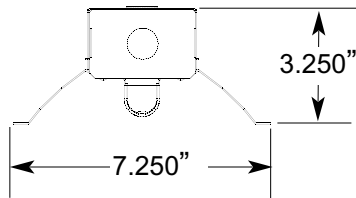
**Housing:** 0.032" white painted cold-rolled steel, die formed with sufficient knockouts for mounting and supply.

**Finish:** All fixture components are painted with a smooth, glossy, highly reflective white paint.

**Reflector:** Can be ordered with a 95% specular, a 85% specular, or a 92% diffuse white enamel. Substrate is 0.020" high quality aluminum. The reflector profile is optimized using computer analysis and manufactured using state of the art CNC equipment. A protective premask is applied to all reflective surfaces prior to manufacture.

**Construction:** The solid body provides exceptional rigidity. The reflectors are attached to the fixture body with quarter-turn fasteners. No tools or additional fasteners are required for reflector installation / removal.

**Installation**



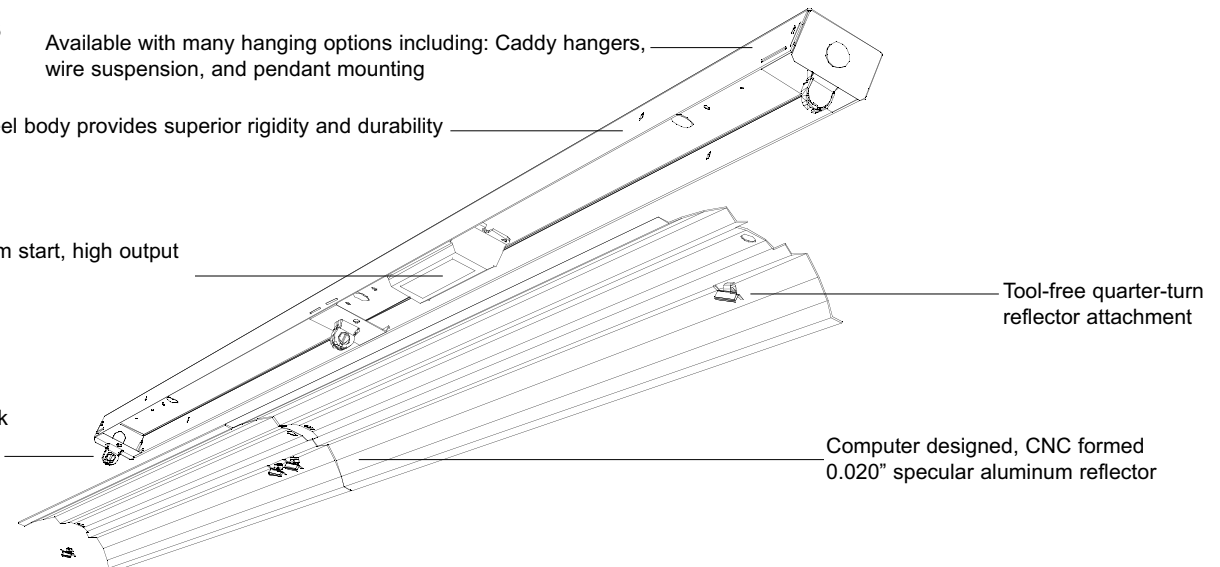
**Highlights**

Available with many hanging options including: Caddy hangers, wire suspension, and pendant mounting

Solid, 0.032" steel body provides superior rigidity and durability

Sylvania program start, high output ballasts

Quality, cam-lock lampholders



Tool-free quarter-turn reflector attachment

Computer designed, CNC formed 0.020" specular aluminum reflector

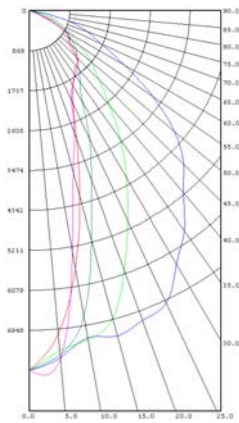
Photometrics



Energy Solutions International, Inc.  
141 State Street  
Saint Paul, MN 55107

ENERGY SOLUTIONS 1 X 8 FLUORESCENT STRIP LUMINAIRE,  
SPECULAR REFLECTOR AND NO LENS  
TWO T5 LINEAR FLUORESCENT 54 WATT LAMPS, LUMEN RATING 5000 LMS.  
ONE SYLVANIA QT2X54/277 BALLAST OPERATING AT 277 VAC AND 113 WATTS

CANDLEPOWER SUMMARY

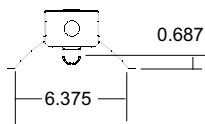


	0.00	22.50	45.00	67.50	90.00
0.00	7816	7816	7816	7816	7816
5.00	7577	7426	7512	7069	7620
10.00	7221	7267	6757	5698	5321
15.00	7325	6935	5162	4186	3635
20.00	7157	5980	3904	2963	2832
25.00	7018	5025	3064	2213	2140
30.00	6366	4189	2280	1846	1886
35.00	5844	3427	1900	1718	1675
40.00	5186	2685	1661	1599	1553
45.00	4723	2135	1450	1467	1430
50.00	4107	1733	1312	1202	1079
55.00	3261	1321	1118	1039	1075
60.00	2362	1029	928	884	809
65.00	1723	807	725	496	378
70.00	1324	607	405	124	51.6
75.00	860	374	92.5	0.300	0.000
80.00	321	149	0.590	0.000	0.000
85.00	73.5	14.5	0.000	0.000	0.000
90.00	6.10	3.28	0.000	0.000	0.000

ZONAL LUMENS AND PERCENTAGES

Zone	Lumens	%Lamp	%Fixt
0- 30	3899	39.0	41.2
0- 40	5590	55.9	59.1
0- 60	8410	84.1	88.9
0- 90	9461	94.6	100.0
90-120	1	0.0	0.0
90-130	1	0.0	0.0
90-150	1	0.0	0.0
90-180	1	0.0	0.0
0-180	9462	94.6	100.0

\*\* EFFICIENCY = 94.6% \*\*



LUMINANCE SUMMARY - CD./SQ.M.

	0	45	90
0	28201.52	28201.52	28201.52
45	23616.17	5587.71	5071.88
50	22504.92	5311.13	3976.75
55	19929.31	4804.45	4157.58
60	16470.38	4285.39	3216.00
65	14093.65	3651.46	1662.94
70	12228.54	2260.08	246.76
75	11141.59	583.20	0.00
80	5980.39	4.22	0.00
85	2467.49	0.00	0.00

PAINT REFLECTANCE = 0.78 S/MH = 0.47  
SC (ALONG) = 1.20 SC (ACROSS) = 0.47  
PREPARED IN PHOTOPIA FOR  
ENERGY SOLUTIONS  
ST. PAUL, MN

Ordering Information

Part Number = Fixture Size + Reflector Material + # Lamps + Lamp Wattage + Voltage + Ballast Type + Options

(Example F-18ALEA254277H = 1'x8' Aisle Strip with an enhanced reflector, 2-54W lamps, and a 277V high output ballast)

<b>Size</b>	<b>Reflector</b>	<b># Lamps</b>	<b>Lamp Watts</b>	<b>Voltage</b>	<b>Ballast</b>
F-14AL - 1' x 4'	EA - Enhanced Alum	1	32	120	H - High Ballast Factor
F-18AL - 1' x 8'		2	54	277	
F-116AL - 1' x 16'		4		UNV	
F-124AL - 1' x 24'		6		480	
F-132AL - 1' x 32'		8			