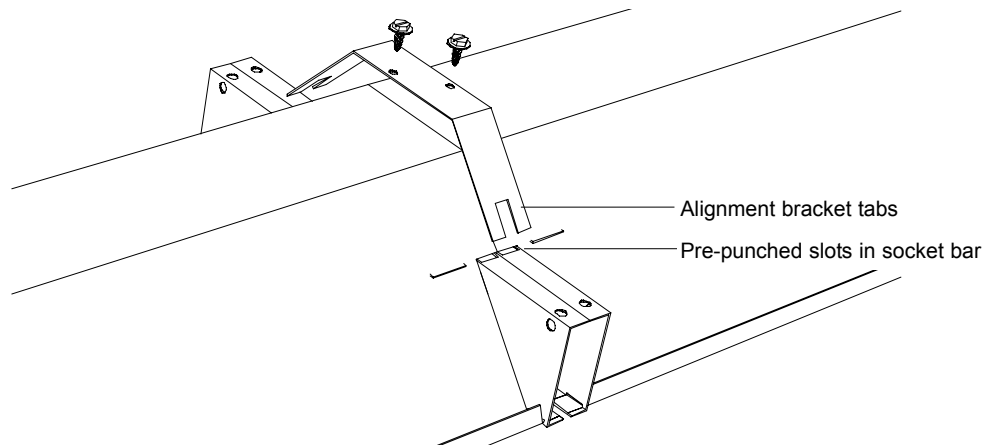


Alignment Bracket

After the fixtures are placed in the ceiling grid, an alignment bracket is used to fully enclose the wireway and securely attach adjacent fixtures. The alignment bracket nests over the fixture body and has tabs that slide into slots on the fixture socket bars (see illustration). The alignment bracket has two pre-punched holes through which self-tapping screws are driven.



End Plate

End plates are provided to enclose the fixture channel at the end of rows. The end plate has tabs that engage with slots in the socket bar. The end plate swivels into place, and is secured with one self tapping screw

