

4 Lamp 1'x8' Uplight Fixture

Retail Series

Features

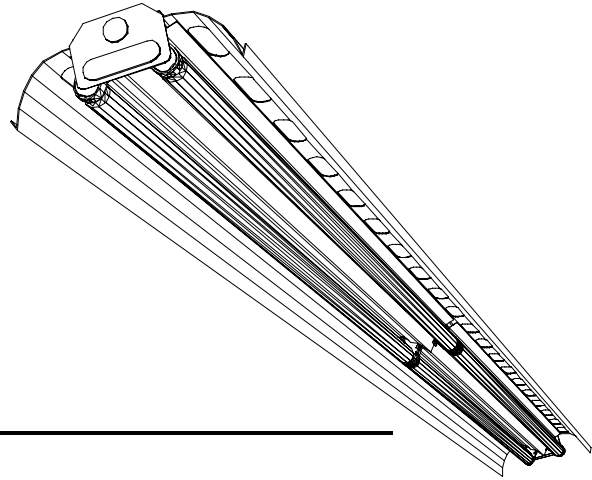
Highly efficient retail fixture

Full 0.036" White Steel Body with a High-performance Specular Reflector Insert

7% Uplight Distribution

Can be Pendant or Surface Mounted

Enhanced Merchandise Presentation



Technical Data

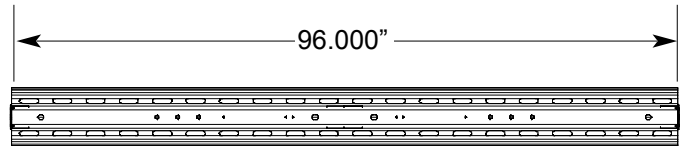
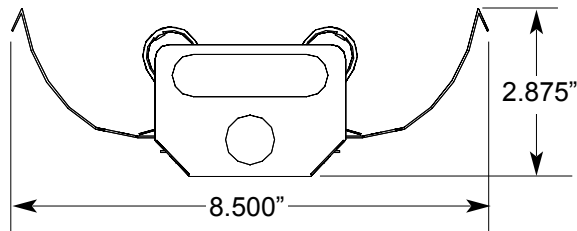
Housing: 0.036" pre-painted cold-rolled steel, die formed with sufficient knockouts for mounting and supply.

Finish: All fixture components are painted with a smooth, glossy, highly reflective white paint.

Reflector: Can be ordered with a 95% specular, a 85% specular, or a 92% diffuse white enamel. Substrate is 0.020" high quality aluminum. The reflector profile is optimized using computer analysis and manufactured using state of the art CNC equipment. A protective pre-mask is applied to all reflective surfaces prior to manufacture.

Construction: The solid body provides exceptional rigidity. The socket bars securely snap into place. The reflectors are attached to the fixture body with a tab lock system. No tools or additional fasteners are required for reflector installation / removal.

Installation



Highlights

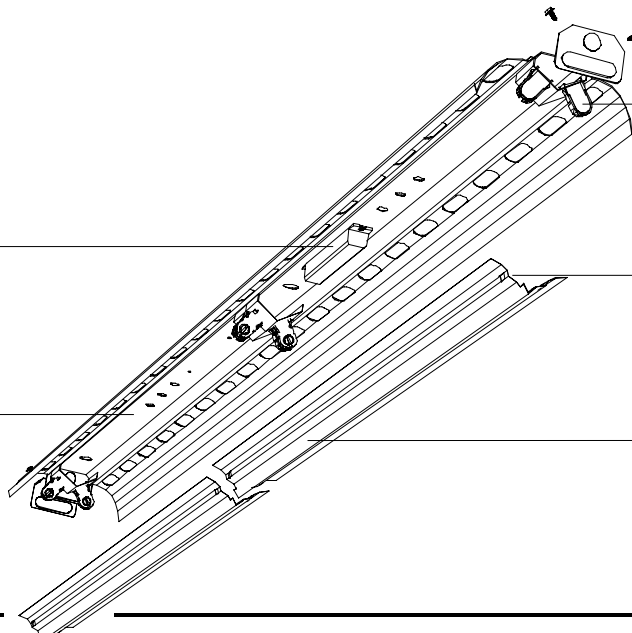
Low energy consumption electronic ballast

Solid, 16 bend, 0.036" steel fixture body

Concealed, high-quality, cam-lock lampholders

Secure, tab-lock reflector attachment

Computer designed, CNC formed 0.020" specular aluminum reflector



4 Lamp 1'x8' Uplight Fixture

Retail Series

Photometrics

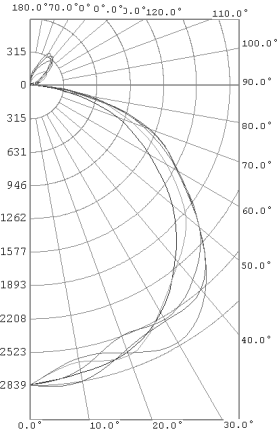


Energy Solutions
Premium Lighting without the Premium Price

Energy Solutions International, Inc.
1385 Mendota Heights Road
Saint Paul, MN 55122

.ENERGY SOLUTIONS 1 X 8 FLUORESCENT LUMINAIRE
WITH WHITE INTERIOR, SPECULAR REFLECTORS AND NO LENS
FOUR T8 LINEAR FLUORESCENT 32 WATT LAMPS, LUMEN RATING 2950 LMS.
ONE GE B4321277RHSC BALLAST OPERATING AT 120 VAC AND 118 WATTS

CANDLEPOWER SUMMARY



	0.0	22.5	45.0	67.5	90.0
0.0	2830	2830	2830	2830	2830
10.0	2760	2654	2726	2839	2619
20.0	2684	2723	2521	2659	2690
30.0	2475	2459	2554	2568	2807
40.0	2145	2183	2403	2520	2577
50.0	1760	1927	2098	2099	2097
60.0	1294	1486	1608	1614	1626
70.0	876	1031	1140	1200	1176
80.0	381	540	564	531	492
90.0	51	79	65	60	69
100.0	29	38	57	56	57
110.0	31	106	51	76	92
120.0	30	175	119	62	52
130.0	37	194	256	192	178
140.0	24	154	302	333	297
150.0	22	118	227	300	351
160.0	5	74	151	177	210
170.0	5	34	78	102	129
180.0	11	11	11	11	11

ZONAL LUMENS AND PERCENTAGES

Zone	Lumens	%Lamp	%Fixt
0- 30	2277	19.6	22.2
0- 40	3810	32.8	37.1
0- 60	7063	60.9	68.7
0- 90	9520	82.1	92.6
90-120	212	1.8	2.1
90-150	640	5.5	6.2
90-180	758	6.5	7.4
0-180	10279	88.6	100.0

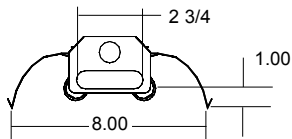
** EFFICIENCY = 88.6% **

PAINT REFLECTANCE = 0.78 S/MH = 1.49
SC (ALONG) = 1.29 SC (ACROSS) = 1.44

PREPARED IN PHOTOPA FOR
ENERGY SOLUTIONS
ST. PAUL, MN

LUMINANCE SUMMARY - CD./SQ.M.

	0	45	90
0	5439	5439	5439
45	5152	4840	4731
55	4906	4511	4188
65	4637	3993	3671
75	4197	3189	2716
85	3542	1729	1257



Case Study

250' x 250' x 14' Retail Space

Reflectances:

Ceiling 80
Walls 50
Floor 20

Luminaire:

ESI Hybrid 1' x 8'
(4) 32W FO32 T8 Lamps
Standard Power Ballast

Lightloss Factor: 0.80
Lumens / Lamp: 3050

Mounting

Height: 14'
Spacing: Continuous
Rows, 12' on Center

Results

Illuminance Level: 98.9 fc
(at 2.5' from floor)

Ave / Min 1.5
Max / Min 1.7
Watts / Sq. Ft. 1.68

Ordering Information

Part Number = Fixture Size + Reflector Material + # Lamps + Lamp Wattage + Voltage + Ballast Type

(Example F-18ULEA432277N = 1'x8' Uplight Strip with an enhanced aluminum reflector, 4-32W lamps, 277 volts, and a standard power ballast)

Size	Reflector	# Lamps	Lamp Watts	Voltage	Ballast
F-14UL- 1' x 4'	EA - Enhanced Alum	2	32	120	N - Standard
F-18UL- 1' x 8'	AA - Anodized Alum	4		277	H - High Ballast Factor
	WR - White Enamel				L - Low Ballast Factor
	SF - Silver Film				