


**Features**

Specifically designed for parking garage applications

Tri-lateral distribution pattern 

Non-symmetrical specular reflector completely fills the fixture cavity



**Technical Data**

**Housing:** 0.032" cold rolled steel, die formed with sufficient knockouts for pendant mounting and electrical supply.

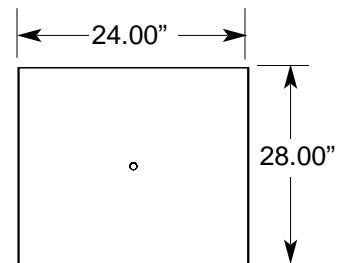
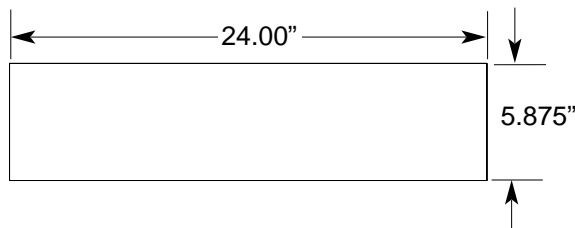
**Finish:** The fixture body is post-process, electrostatically painted in a color of your choice.

**Mounting:** Fixture can be pendant or surface mounted.

**Reflector:** Can be ordered with a 95% specular, a 85% specular, or a 92% diffuse white enamel. (For maximum performance, 95% specular is recommended.) Substrate is 0.020" high quality aluminum. The reflector profile is optimized using computer analysis and manufactured using state of the art CNC equipment. A protective premask is applied to all reflective surfaces prior to manufacture.

**Construction:** The corners of the fixture body are welded at the seams. The socket bars are securely locked in place with a stud/nut system. The one piece reflector system is attached to the socket bars with quarter-turn fasteners. No tools are required for reflector installation and removal.

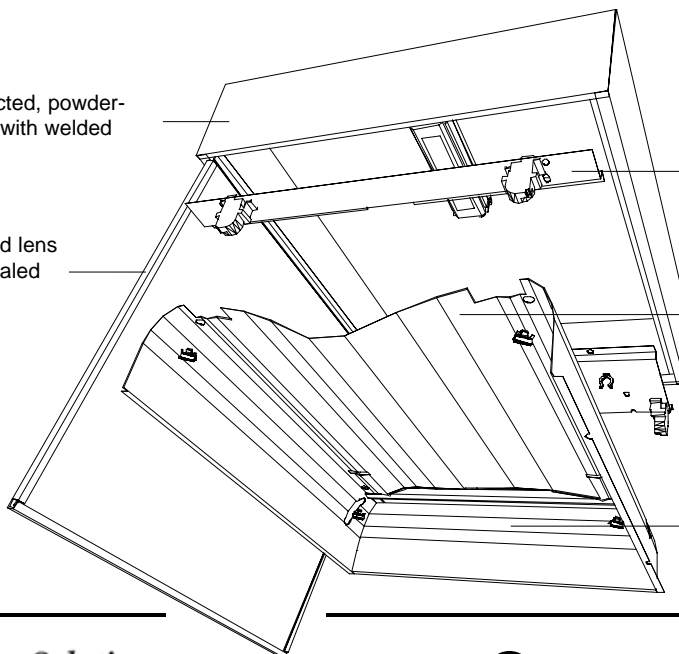
**Installation**



**Highlights**

Robustly constructed, powder-coat fixture body with welded seams

One piece, hinged lens frame with concealed set-screw locks



Solid, 0.036" gloss white steel socket bars

Designed and analyzed on proprietary software for optimal performance

Unique, U-shaped lamp placement combined with a custom reflector profile directs light to the sides and into the drive lane

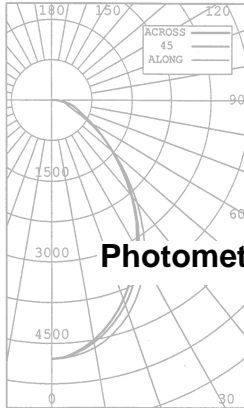
Photometrics



Lighting Sciences Inc.  
7830 E. Evans Road  
Scottsdale, Arizona 85260 USA  
Tel: 480-991-9260 • Fax: 480-991-0375

CERTIFIED TEST REPORT NO. LSI 14437

ENERGY MASTERS FLUORESCENT INDOOR AISLE LUMINAIRE  
WITH SPECULAR REFLECTORS AND PRISMATIC ACRYLIC LENS  
FOUR GE 40 WATT CPFL LAMPS, CAT# F40BX/SPX35/RS. LUMEN RATING = 12600 LMS.  
TWO SYLVANIA QT2X40120DL BALLASTS OPERATING AT 120 VAC AND 140 WATTS



**Photometrics Not Yet Available**

ANGLE	ALONG	45	67.5	ACROSS	OUTPUT LUMENS
0	4786	4786	4786	4786	4786
5	4752	4742	4716	4697	4701 452
10	4644	4613	4546	4504	4499
15	4460	4409	4311	4253	4238 1213
20	4199	4124	4016	3934	3909
25	3865	3784	3660	3571	3547 1684
30	3454	3381	3253	3174	3159
35	2986	2931	2802	2763	2749 1764
40	2476	2436	2344	2323	2307
45	1965	1942	1916	1882	1861 1475
50	1502	1511	1508	1475	1469
55	1109	1138	1111	1114	1129 1007
60	807	819	759	801	849
65	622	570	495	546	634 572
70	488	458	408	458	508
75	376	362	326	362	408
80	292	288	262	288	326
85	151	129	105	126	146 134
90	0	0	0	0	0

ZONAL LUMENS AND PERCENTAGES

ZONE	LUMENS	% LAMP	% LUMINAIRE
0-30	3349	26.58	38.73
0-40	5113	40.59	59.14
0-60	7595	60.28	87.84
0-90	8647	68.63	100.00
40-90	3533	28.05	40.86
60-90	1051	8.35	12.16
90-180	0	.00	.00
0-180	8647	68.63	100.00

\*\* EFFICIENCY = 68.6% \*\*

LUMINANCE SUMMARY - CD./SQ.M.

S/MH = 1.0

SC (ALONG) = 1.1, SC (ACROSS) = 1.0

ANGLE	ALONG	45	ACROSS
45	10005	9792	9508
55	6959	7002	7113
65	5297	4233	5419
75	5660	3954	5624
85	6218	4342	6069

CERTIFIED BY: *James E. Welsch III* DATE: JAN 21, 2000  
PREPARED FOR: ENERGY MASTERS ST. PAUL, MN

TESTED IN ACCORDANCE WITH IES PROCEDURES.

Ordering Information

Part Number = Fixture Size + Reflector Material + # Lamps + Lamp Wattage + Voltage + Ballast Type + Options

(Example 22GCEA340120N = 2'x2' Garage Custom Fixture with an enhanced aluminum reflector, 3 - 40W lamps, 120V, and a standard ballast)

Size <b>22GC - 2' x 2'</b>	Reflector EA - Enhanced Alum AA - Anodized Alum WR - White Enamel SF - Silver Film	# Lamps <b>3</b>	Lamp Watts <b>40</b>	Voltage <b>120</b> <b>277</b>	Ballast N - Standard H - High Ballast Factor L - Low Ballast Factor
-------------------------------	--	---------------------	-------------------------	-------------------------------------	--